
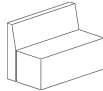








Line	Model	Qty.			TBD Options
1.1	<b>CTABLE-73P</b> 	4	C-Table, 27" Fixed Height, 18" worksurface, 73P edge Edge Color Frosty White edge /EFW Surface Finish KI Laminates Standard KI Laminates FROSTY WHITE 1573-60 /LFW Base Finish Starlight Silver Metallic /SX		
1.2	<b>MPGANGKIT</b> No Image Available	4	MyPlace Ganger Kit		
1.3	<b>MPRB/CGL/NC</b> 	5	MyPlace Rectangle w/Back, Concealed Glides, Non-Contrast Non-Contrasting Fabric Compliance to TB 117-2013 /NFR Non-Contrasting Fabric Fabric Grade J J Fabric FOLIE FOLIE FOLIE MARINE /27.335.074.P Moisture Barrier No Moisture Barrier /NMB		
1.4	<b>PLRT3684H42-74P</b> 	2	Pillar Table, Post Leg, Rectangular, 36x84", 42"H, 74P Edge Edge Color Frosty White edge /EFW Grommet/PowerUp Option No grommets, PowerUp or wire management/No cutouts /NNN Laminate KI Laminates Standard KI Laminates FROSTY WHITE 1573-60 /LFW Leg Finish Starlight Silver Metallic /SX Casters/Glides Casters /CST Modesty Panel No modesty panel /NMP		
1.5	<b>RDEEZ39-73P</b> 	20	Ruckus, Sit Height Adjustable Post-Leg Desk 19-1/2 to 32-1/2", Large Oddquad, 3/4" Top, 73P Edge, 24x39" Edge Color Frosty White edge /EFW Laminate Color KI Laminates Standard KI Laminates FROSTY WHITE 1573-60 /LFW Base Finish Starlight Silver Metallic /SX Caster/Glides Casters /CCC Under Table Storage No book storage /NB		
1.6	<b>SLNAUC</b> 	20	Strive Four-Leg Armless Chair w/Casters, Uph Seat Frame Color Starlight Silver Metallic /SX Upholstery Grade/Color Compliance to TB 117-2013 /NFR Upholstery Grade/Color Group 2V Vinyl (Chair stacking is not recommended with this fabric type) GRP2V G2V Vinyl 2V ZIZANIA 2VUPHZIZANIA 2V ZIZANIA CARIBBEAN /VZCN Caster Option Carpet casters (black only) /C Poly Seat & Back Color No Fire Retardant -NFR Poly Seat & Back Color Sky Blue /PSK		
1.7	<b>SPSNAU</b> 	12	Strive Task Armless Stool, Uphol Seat Base Color Black /BL Caster Option Carpet casters /C Upholstery Grade/Color Compliance to TB 117-2013 /NFR Upholstery Grade/Color Group 2 Vinyl GRP2V G2V Vinyl 2V ZIZANIA 2VUPHZIZANIA 2V ZIZANIA BRILLIANT ORANGE /VZBO Poly Seat & Back Color Compliance to TB 117-2013 -NFR Poly Seat & Back Color Cool Grey /PCG		

Line	Model		Qty.			TBD Options
1.8	SLNAUC	Strive Four-Leg Armless Chair w/Casters,Uph Seat	12			
		Frame Color Upholstery Grade/Color Upholstery Grade/Color G2V Vinyl 2V ZIZANIA Caster Option Poly Seat & Back Color Poly Seat & Back Color	Starlight Silver Metallic Compliance to TB 117-2013 Group 2V Vinyl (Chair stacking is not recommended with this fabric type) 2V ZIZANIA CARBON Carpet casters (black only) No Fire Retardant Flannel	/SX /NFR GRP2V 2VUPHZIZANIA /VZCA /C -NFR /PFN		
1.9	RUZ20E	Ruckus,Single Post Cantilever Desk Lam. Top Adj. Pneumatic Hgt.,Wheelbarrow Base,20x30"	12			
		Book Storage Option Wheelbarrow Base Surface Finish KI Laminates Edge Color Frame Color	No book storage Wheelbarrow (roller front, plastic glides back) KI Laminates FROSTY WHITE 1573-60 Frosty White edge Starlight Silver Metallic	/NB /RPL Standard /LFW /EFW /SX		

**NOTES:**

- Images shown above are intended for approximate visual reference only and may not represent the exact models, numbers, descriptions or options selected. Refer to the model number/description/options shown for full product specifications.
- Sales Tax (For Shipment within the United States Only): Estimated sales/use tax will be calculated when order is entered. It is the customer's responsibility to pay any applicable sales/use tax due upon invoicing. A customer will not be charged sales tax if (1) a Resale Certificate, (2) an Exempt Organization Certificate, or (3) a Direct Pay permit is on file with KI's Finance Department. If no certificate is on file, the appropriate sales/use tax rate in effect at shipment will be applied and tax will be added to the customer's invoice.

# PRODUCT SPECIFICATIONS ■

## Strive® Stack Chairs & Café Stools

August 2022

### TECHNICAL SPECIFICATIONS

#### Backrest

Injection-molded polypropylene with integral steel cantilever springs. The combination of the slotted polypropylene back and the spring steel provides a supportive flexing back. Springs are nominal 4.5 mm diameter chrome silicon valve spring wire.

#### Seat and Shroud

Injection-molded polypropylene.

#### Optional Upholstered Seat

Molded urethane foam is attached to an injection-molded polypropylene seat board, then upholstered using a draw-string process. The assembled seat pad is attached to the seat by means of hidden fasteners. Note: upholstered seat is required with translucent poly backs.

#### Optional Upholstered Back

A 1/2" thick urethane foam is attached to an injection-molded polypropylene back board, then upholstered using a draw-string process. The assembled back pad is attached to the back by means of fasteners which are exposed and are color matched to the polypropylene.

#### Frames

Legs are 7/8" O.D. by 13-gauge tubular steel. Cross members are 1" O.D. by 14-gauge tubular steel and 7/16" diameter solid steel. All joints are welded. Frames are available in 4-leg or sled base configurations. Standard 4-leg rear legs angle 14° from vertical. Wallsaver rear legs angle 23° from vertical.

#### Frame Finishes

Frames are finished in either baked-on electrostatically-applied 30-degree gloss epoxy powder-coat paint, or bright nickel-chrome plating.

#### Arms

Optional cantilever arms or loop arms are available. When equipped with arms, the supporting structure is a continuation of the rear leg finished to match the frame color. The armcaps are injection-molded glass filled polypropylene matching the frame finish (when frame finish is Chrome, hammertones, or Starlight Silver metallic, armcaps match the seat and back color; when back is Diamond translucent, armcaps are Light Tone; when back is Pewter translucent, armcaps are Flannel; when back is Bronze translucent, armcaps are Chocolate). The armcaps are attached to the steel structure by means of screws.

#### Glides

##### 4-Leg Chairs

The upper ends of the rear leg tubes are capped with polypropylene end caps matching the leg color (chrome frames and hammertone frames match the seat and back color). The glides are pressed into the bottom end of the legs. Three glide options are available; felt, plastic, and steel. Felt and plastic glides have a swivel base and have easy-on/easy-off replaceable caps, which makes field replacement simple and efficient (plastic & felt caps are interchangeable). Steel glides have a swivel base and do not have interchangeable caps. No color options are available for glides.

##### Sled Base Chairs

Four glide options are available; non-skid, plastic, steel, and felt. Glides are attached to the chair frame with one screw each. All glides have easy-on/easy-off replaceable caps, which makes field replacement simple and efficient. All caps are interchangeable. No color options are available for the glides. Sled base chairs may also be ordered without glides.

#### Casters

4-leg chairs may be ordered with carpet casters instead of glides (does not apply to café stools). Casters are double-wheel (60 mm) high-impact thermoplastic and are available in black only.



## TECHNICAL SPECIFICATIONS

### Tablet Arm

Tablet support loop is a continuation of the rear leg and is available in left- or right-handed models. A formed steel hinge is welded to the top of the support structure, and secured with screws to the underside of the writing surface. Writing surface is 9<sup>1</sup>/<sub>2</sub>" x 20<sup>3</sup>/<sub>4</sub>" x 12<sup>1</sup>/<sub>2</sub>" plywood core of <sup>5</sup>/<sub>8</sub>" thick, 11-ply hardwood, surfaced with .030" high-pressure laminate top and plain backer undersurface. Edges are lacquered and sealed.

### 4-Leg Café Stool

4-leg models on glides are available in 24" and 30" seat heights. Stool-height units are equipped with a reinforcing foot ring made of a <sup>1</sup>/<sub>2</sub>" diameter wire ring, which is open in the back to allow stacking of armless and cantilever arm stools.

### Transport Dolly

Frame construction is welded tubular steel with a black powder-coated finish and 5" wheels (two swivel and two fixed). The dolly fits 4-leg or sled base chairs and has a capacity of fifteen poly chairs or eight upholstered chairs.

### ChangeUp™ Tablet Arm

ChangeUp tablet support is integral to the chair frame and consists of a <sup>7</sup>/<sub>8</sub>" diameter solid steel rod welded to the front and rear support tubes. A three-piece molded plastic armrest is included and attached to the chair frame using a #10 x 2<sup>1</sup>/<sub>2</sub>" Phillips pan head tapping screw.

The tablet mechanism consists of a die-cast aluminum housing, upper and lower plastic bearings, and 11-gauge steel clamp and tablet board support plates. The tablet mechanism is clamped onto the chair frame over two plastic bushing halves and a <sup>5</sup>/<sub>16</sub>" diameter by 1<sup>3</sup>/<sub>4</sub>" hardened steel pin with a die-cast aluminum cap secured with two <sup>1</sup>/<sub>4</sub>-20 x <sup>3</sup>/<sub>4</sub>" button socket head cap screws. The pin creates a solid 90° up/down pivot stop and the bushings provide a smooth, quiet operation. In the use position, the tablet mechanism rotates outward from the chair back an additional 20° and permits approximately 3<sup>1</sup>/<sub>2</sub>" of adjustment for ingress/egress without stowing the tablet.

The tablet worksurface is 21" wide by 13<sup>1</sup>/<sub>2</sub>" deep (235 square inches) is secured to the tablet board support plate with twelve #12 x <sup>5</sup>/<sub>8</sub>" Phillips flat head tapping screws. The tablet board is made of 18 mm Baltic Birch plywood with .040" high-pressure laminate top surface and .02" thick phenolic backer surface for an overall board thickness of approximately <sup>3</sup>/<sub>4</sub>". Edges are lacquered with a clear finish and sealed. The factory installed tablet assembly is not field installable and may not be removed.

### Weight Rating

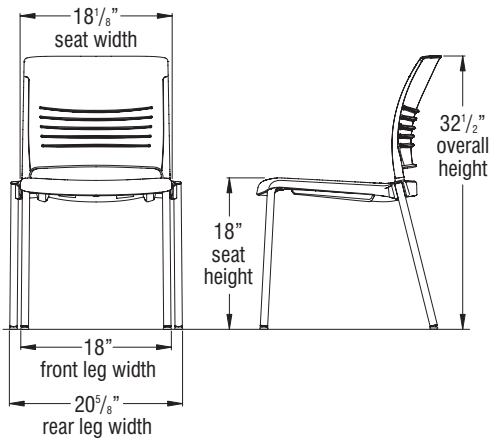
ChangeUp tablet arm can support a 250 lb static load.

### Compliance

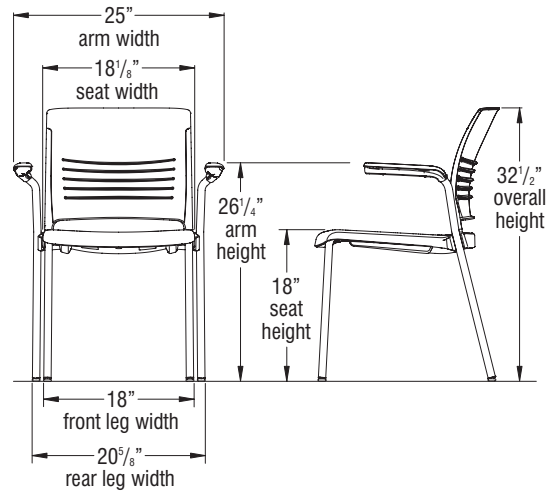
Strive seating is designed and manufactured to meet or exceed required ANSI/BIFMA X5.1 - 2011 Seating. Seat functional weight rating for Strive stack chair and café stool is 400 lb, as conducted by and within KI's Accredited Test Lab.

## DIMENSIONS

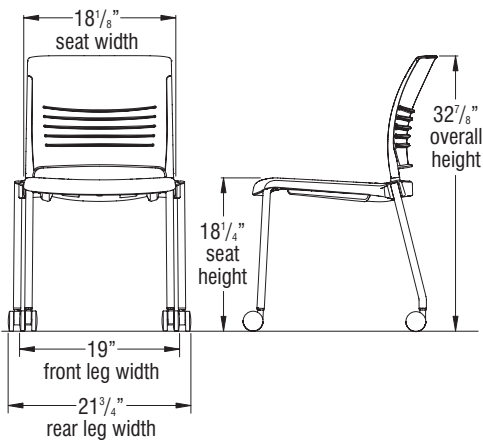
### Strive Armless 4-Leg Chair



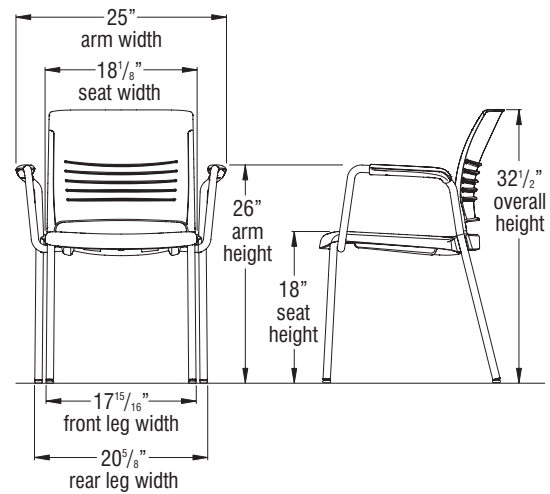
### Strive 4-Leg Cantilever Armchair



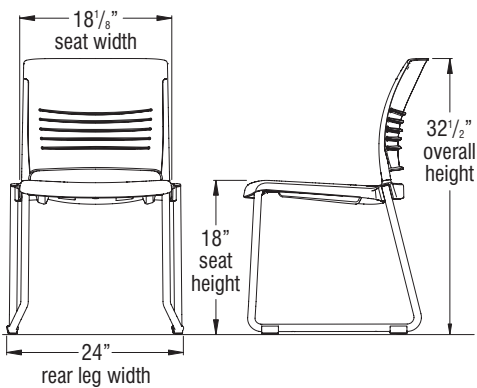
### Strive Armless 4-Leg Chair with Casters



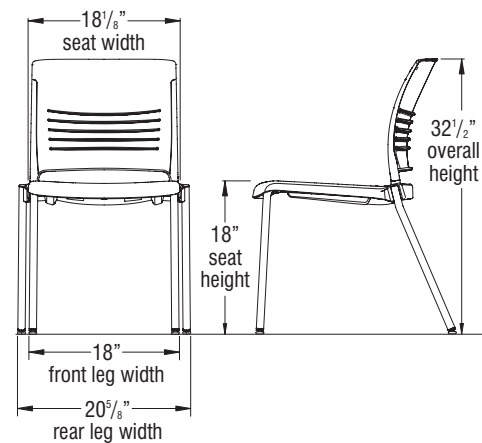
### Strive 4-Leg Loop Armchair



### Strive Armless Sled Base Chair



### Strive Armless 4-Leg Chair

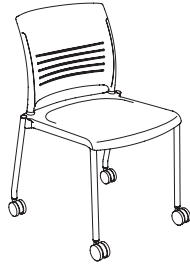


## STATEMENT OF LINE

All models are available in polypropylene seat/backrest, upholstered seat/ polypropylene backrest, or upholstered seat/backrest.



SLNAP



SLNAPC



SLCAP



SLCAPC



SLLAP



SLLAPC



SLTAPRH



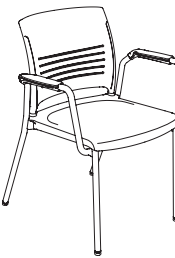
SLOVTAPRH



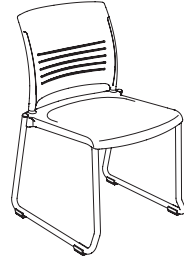
SLNAPWS



SLCAPWS



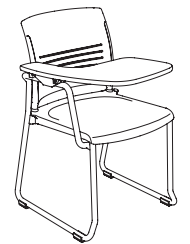
SLLAPWS



SSNAP



SSCAP



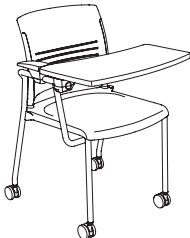
SSTAPRH



SSOVTAPRH



SLCUTAPRH



SLCUTAPCRH



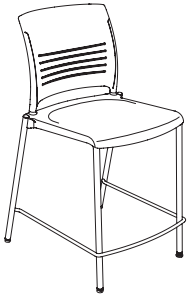
SSCUTAPRH

## CODE COMPLIANCE

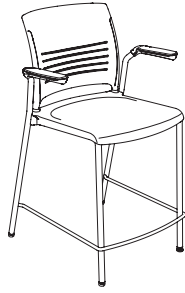


## STATEMENT OF LINE

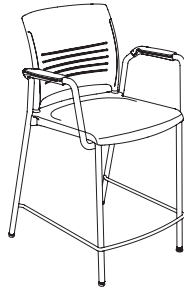
All models are available in polypropylene seat/backrest, upholstered seat/ polypropylene backrest, or upholstered seat/backrest.



SLSNAP



SLSCAP



SLSLAP

## CODE COMPLIANCE



# PRODUCT SPECIFICATIONS ■

## Ruckus™ Desks

May 2022

### TECHNICAL SPECIFICATIONS

**Note:** Desks are not to be stacked or nested together.

#### Fixed-Height Desk – Single-Post Cantilever

Frames are constructed with 2" and 1 1/4" by 14-gauge steel tubing welded to a 7-gauge steel plate. Frame is nickel-chrome plated or finished in powder-coat paint after all welding processes are complete. The 1 1/4" horizontal tubing is capped with a plastic plug (offered in black only).

The worksurface is attached to the top-support plate using eight, #12 x 7/8" wood screws. Product is shipped fully assembled, one unit per carton.

#### Pneumatic Height-Adjustable Desk – Single-Post Cantilever

The top of the worksurface adjusts between 27 1/4" and 41 1/2" from the floor by activating a pneumatic cylinder using a lever located on the non-user side of the worksurface.

The desk base consists of a lower frame weldment and adjustable upper column assembly. The lower frame is constructed with 2" and 1 1/4" by 14-gauge steel tubing and can be nickel-chrome plated or finished in powder-coat paint after all welding processes are complete. The 1 1/4" horizontal tubing is capped with a plastic plug (offered in black only).

The adjustable upper column assembly is constructed of a 3" diameter aluminum extrusion and is capped using a cast aluminum support flange attached by six, 1/4"-20 x 3/4" screws. The upper column assembly is finished in powder-coat paint. Nickel-chrome plating is not available on the upper column assembly. Upper assembly will be painted Starlight Silver when nickel-chrome plating is specified for the lower frame. The support flange is finished in black powder-coat paint.

The worksurface is attached to the support flange using eight, #12 x 7/8" wood screws. Product is shipped fully assembled, one unit per carton.

The pneumatic cylinder includes a locking feature to prevent vertical movement when any force is applied to the worksurface and the cylinder is not actuated.

The weight capacity with accessories (bookrack and cup holder) is less than 15 lb. Weight capacity is 20 lb when accessories are not specified. Capacity represents the total amount of weight the cylinder can lift without assistance from the user.

#### Set Screw Height-Adjustable Desk – Single-Post Cantilever

The top of the worksurface adjusts between 27 1/4" and 41 1/2" from the floor, in 1" increments by locking with a 1/4"-20 x 1/2" dog point set screw.

The desk base consists of a lower frame weldment and adjustable upper column assembly. The lower frame is constructed with 2" and 1 1/4" by 14-gauge steel tubing and can be nickel-chrome plated or finished in powder-coat paint after all welding processes are complete. 1 1/4" horizontal tubing is capped with a plastic plug (offered in black only).

The adjustable upper column assembly is constructed of a 3" diameter aluminum extrusion and is capped using a cast aluminum support flange attached by six, 1/4"-20 x 3/4" screws. The upper column assembly is finished in powder-coat paint. Nickel-chrome plating is not available on the upper column assembly. Upper assembly will be painted Starlight Silver when nickel-chrome plating is specified for the lower frame. The support flange is finished in black powder-coat paint.

The worksurface is attached to the support flange using eight, #12 x 7/8" wood screws. Product is shipped fully assembled, one unit per carton.





## TECHNICAL SPECIFICATIONS

### ADA Set Screw Height-Adjustable Desk – Single-Post Cantilever

The top of the worksurface adjusts between 27<sup>1</sup>/<sub>4</sub>" and 31<sup>1</sup>/<sub>4</sub>" from the floor, in 1" increments by locking with a 1/4"-20 x 1/2" dog point set screw.

The desk base consists of a lower frame weldment and adjustable upper column assembly. The lower frame is constructed with 2" and 1 1/4" by 11-gauge & 14-gauge steel tubing and can be nickel-chrome plated or finished in powder-coat paint after all welding processes are complete. 1 1/4" horizontal tubing is capped with a plastic plug (offered in black only).

The adjustable upper column assembly is constructed of a 3" diameter aluminum extrusion and is capped using a cast aluminum support flange attached by six, #12-24 x 3/4" screws. The upper column assembly is finished in powder-coat paint. Nickel-chrome plating is not available on the upper column assembly. Upper assembly will be painted Starlight Silver when nickel-chrome plating is specified for the lower frame. The support flange is finished in black powder-coat paint.

A steel plate is attached to the bottom of the worksurface using fourteen, #12 x 3/4" wood screws. The steel plate and worksurface is then attached to the support flange using eight, #12-24 x 3/4" screws. Product is shipped fully assembled, one unit per carton.

### Rolling Base Model (wheelbarrow)

Rolling base model includes two rollers located on the non-user side of the frame, with two swivel glides located on the user side for ease of mobility. Roller will be constructed of a two-piece molded polycarbonate housing with steel axle, supporting a 1 1/4" diameter wheel constructed of high impact styrene and secured to base frame with a 1/4"-20 x 5/8" screw. Cantilever frame will include cutouts to encapsulate roller assembly. Roller assembly is offered in black only. Swivel-type glides are polished zinc-plated steel with nylon plastic, or felt feet surfaces. KI recommends consulting with the floor manufacturer for specific glide recommendations. **Note:** Felt glides increase product height by 1/4".

**Note:** Glides cannot be swapped with rollers or rollers with glides.

### Worksurfaces

Worksurface top consists of high-density particleboard core covered with .030" high-pressure laminate top and a .020" phenolic backing sheet and 73P polypropylene edge with a finished top thickness of 1<sup>3</sup>/<sub>16</sub>". Worksurface includes a curved front comfort curve on user side and 2<sup>3</sup>/<sub>8</sub>" radius corners. Worksurface measures 20" x 30". ADA worksurfaces measure 25" x 36".

### Glides

Swivel-type glides are polished zinc-plated steel with nylon plastic, or felt feet surfaces. KI recommends consulting with the floor manufacturer for specific glide recommendations. **Note:** Felt glides increase product height by 1/4". **Note:** Glides cannot be swapped with rollers or rollers with glides.

### Book Bag Hook

Optional book bag hook is formed from 1/4" solid wire rod. Chrome finish provides long lasting wear resistance. Hook fastens to underside of laminate top with two #12 x 3/4" Phillips pan-head screws. Book bag hook is fully assembled to desk prior to shipment.

### Book Basket

Optional book basket is formed from 1/4" solid wire rod. Book basket can be nickel-chrome plated or finished in powder-coat paint after all welding processes are complete. Measures 24<sup>1</sup>/<sub>2</sub>" wide by 13" deep by 3<sup>1</sup>/<sub>4</sub>" high. Fastens to underside of laminate top with six #12 x 3/4" Phillips pan-head screws. Book basket is fully assembled to desk prior to shipment.

### Cup Holder

Optional cup holder is made of 11-gauge steel and includes a 3" diameter cutout for drinks. Offered in Starlight Silver only. Cup holder is fully assembled to desk prior to shipment.

### Compliance

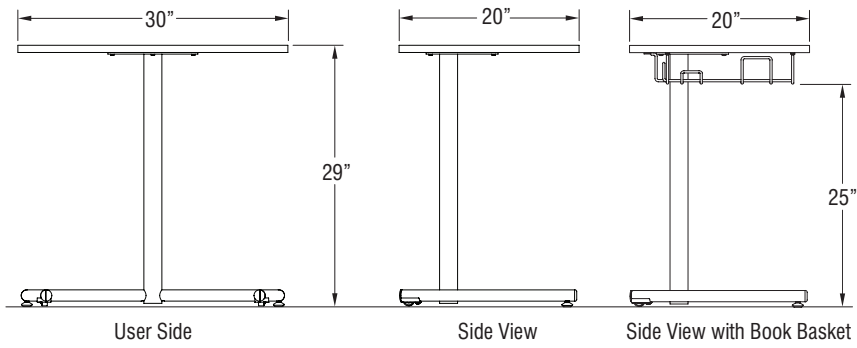
Ruckus desking components originate from ISO 9000, ISO 9001 or ISO 9002 registered facilities. Ruckus desking is designed and manufactured to meet or exceed required ANSI/BIFMA X5.5-2014 Desking.

## CODE COMPLIANCE

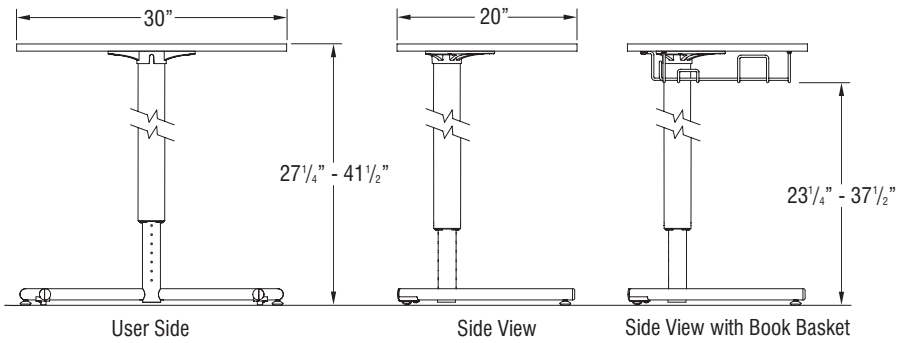


## DIMENSIONS

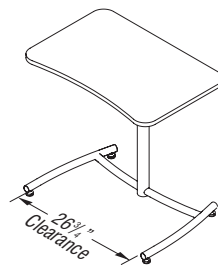
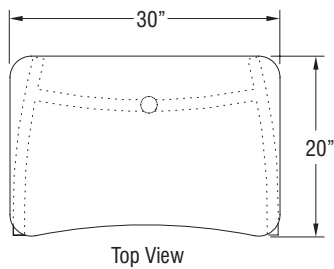
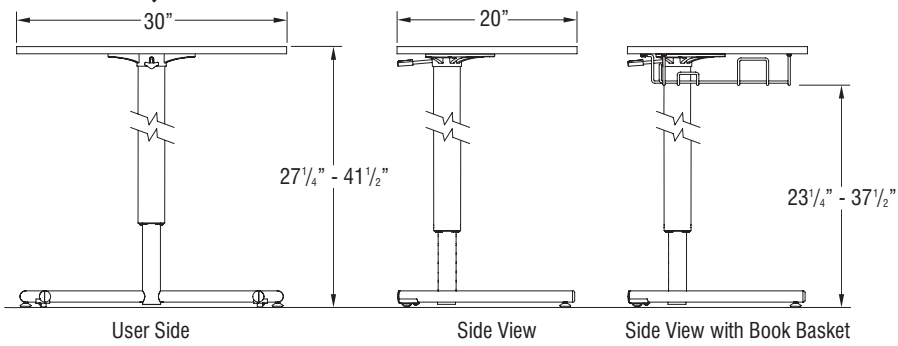
### Fixed Height - 29"



### Set Screw Adjustable



### Pneumatic Adjustable

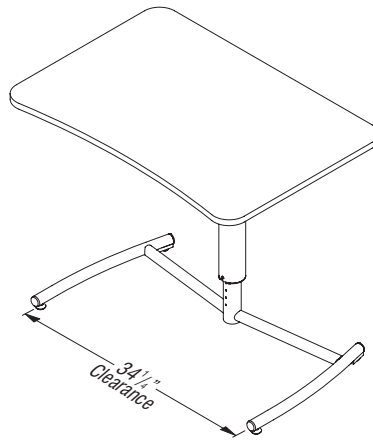
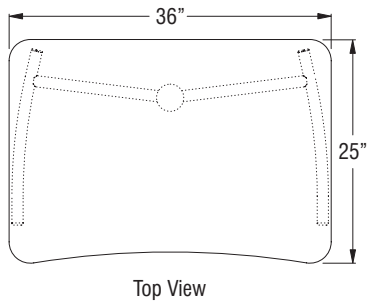
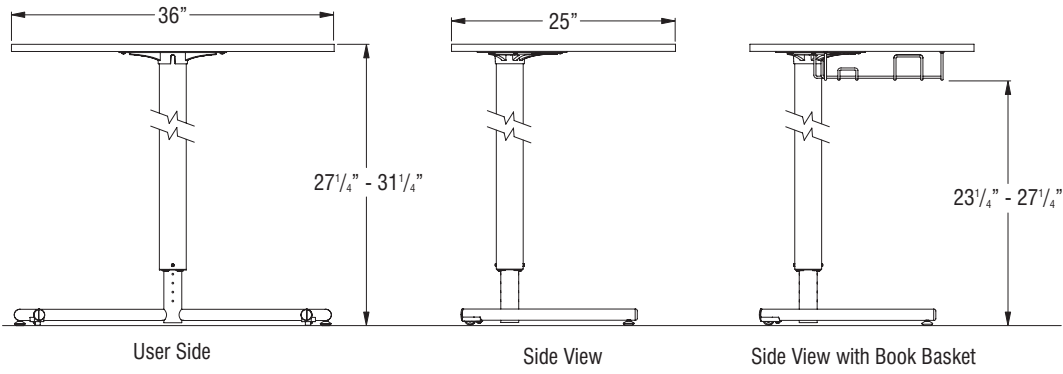


## CODE COMPLIANCE



## DIMENSIONS

### ADA Set Screw Adjustable

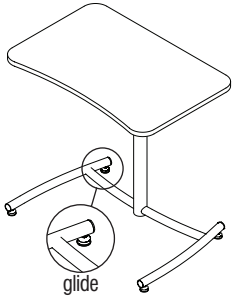


## CODE COMPLIANCE

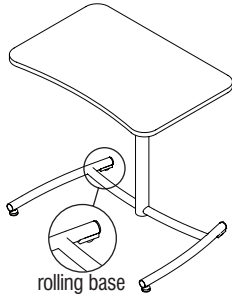


## STATEMENT OF LINE

### Fixed Height - 29"

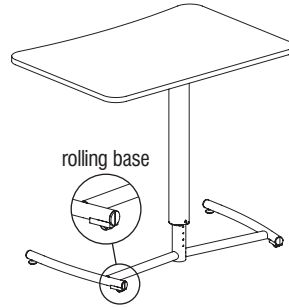


RU4201



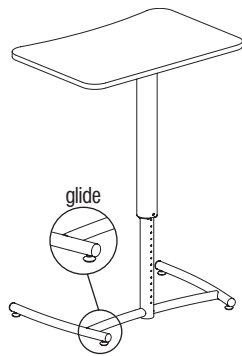
RU5201

### ADA Set Screw Adjustable

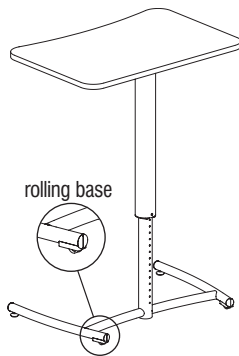


RUE50A

### Set Screw Adjustable

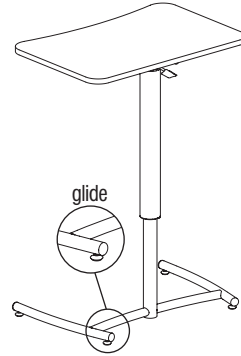


RUD20A

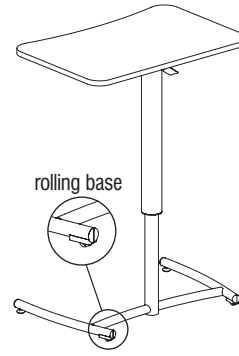


RUE20A

### Pneumatic Adjustable



RUY20E



RUZ20E

# PRODUCT SPECIFICATIONS ■

## Ruckus Post-Leg Desks & Activity Tables

March 2022

### TECHNICAL SPECIFICATIONS

#### Post-Leg Desktops & Activity Tabletops

All tops are  $1\frac{1}{4}$ " or  $\frac{3}{4}$ " nominal overall thickness with .030" thick high-pressure laminate top surface and .028" phenolic backer (bottom surface). All post-leg desks and kite and diamond activity tables are available with either top thickness. All remaining activity tables are only available with the  $1\frac{1}{4}$ " top thickness. The density of the core in standard tops is 45 lb/cu ft particleboard, M3 grade. All tops have a 2 mm bonded edge band for tamper and moisture resistance, specified as 74P for  $1\frac{1}{4}$ " tops and as 73P for  $\frac{3}{4}$ " tops.

#### Post Leg Assembly

Leg assembly heights are achieved by accounting for  $1\frac{1}{4}$ " tabletop thickness. For tables or desks with  $\frac{3}{4}$ " tops, height dimensions are  $\frac{1}{2}$ " (nominal) less. Leg assemblies come in four variations, 29" fixed-height, 12-19" floor adjustable-height, 20-33" sit adjustable-height, & 29-42" sit-stand adjustable-height. All adjustable-height table legs adjust with screws in 1" increments.



#### Fixed-Height Post Leg Construction

Consists of a  $1\frac{3}{4}$ " O.D. 14-gauge steel tube welded to a  $\frac{1}{4}$ " thick mounting plate. Leg bottom has a pressed-in steel insert with  $\frac{5}{16}$ -18 UNC threaded hole for either caster or glide.

#### Screw Adjustable-Height Post Leg Construction (upper & lower leg members)

The upper (outer), leg member consists of a  $1\frac{3}{4}$ " O.D. 14-gauge steel tube welded to a  $\frac{1}{4}$ " thick mounting plate. The lower (inner) leg member consists of a  $1\frac{1}{2}$ " O.D. 14-gauge steel tube containing fifteen  $\frac{1}{4}$ -20 UNC holes in 1" increments to allow for error-free desk and table height adjustment, and has a pressed-in plastic insert at floor level with  $\frac{5}{16}$ -18 UNC steel threaded hole for either caster or glide. Height adjustment of each leg assembly is locked using two  $\frac{1}{4}$ -20 screws with lock washers at the outer leg member, threading into the inner leg member. Post-leg desks & kite or diamond activity tables use a  $\frac{1}{4}$ " thick triangular mounting plate ( $5 \times 6\frac{1}{2}$ "). All other tables use a  $\frac{1}{4}$ " thick square mounting plate ( $8" \times 8"$ ). Casters and glides are shipped assembled to the legs. Adjustable legs with a height range of 12-19" are shipped from the factory pre-set to 19" table height. Adjustable legs with a height range of 20-42" are shipped from the factory pre-set to 29" table height.

#### Castors & Glides

Each table includes either: all casters, all glides, or a caster and glide mix that includes casters for two legs and glides for all remaining legs. 12-19" post-leg assemblies are available with glides only and do not include spacers. Casters are 50 mm O.D. double-wheel, molded nylon, black, unhooded, with brake and use a  $\frac{5}{16}$ -18 threaded steel stem for mounting. Glides are either: Black nylon with a  $\frac{5}{16}$ -18 threaded steel stem or Black nylon with felt base with a  $\frac{5}{16}$ -18 threaded steel stem. Glides are utilized with a Black nylon glide locking spacer (patent pending). The spacer has steel  $\frac{5}{16}$ -18 threaded hole. The spacer and glide combination allows for interchangeability between glides and casters without a change in height of the desk or table surface.

### Undersurface Accessories

#### Book Basket

Optional book basket is made of chrome plated 7 mm diameter solid steel wire. Fastens to underside of top with eight #12 x  $\frac{3}{4}$ " Phillips pan head screws. Book basket is only available on the Ruckus Post-Leg Desk.

#### Small and Large Book Boxes

Optional solid molded thermoplastic polypropylene book box. Translucent finish helps provide safe environment while allowing for some degree of personal privacy. Molded-in pencil tray keeps items conveniently inside book box within easy reach, not on the floor or in the back of the book box. Fastens to underside of top with nine #12 x  $\frac{3}{4}$ " Phillips pan head screws. Small and Large Book Boxes are only available on Ruckus Post-Leg Desks.

#### Removable Tote Storage

Totes are molded from talc filled Polypropylene giving strength and rigidity. The totes are completely translucent for visibility of the contents within. The Polypropylene contains an anti-static additive to reduce the attraction of dust. Polypropylene is chemically resistant to a majority of chemicals and cleaners used in schools. Removable tote storage is available on both the Ruckus Post-Leg Desks and Activity Tables.

#### Book Bag Hook

Optional book bag hook is formed from  $\frac{1}{4}$ " solid wire rod and is chrome plated for long lasting wear resistance. Fastens to underside of top with two #12 x  $\frac{3}{4}$ " Phillips pan head screws. Hook can be combined with any of the under storage options. Book bag hook must be ordered separately as an accessory.

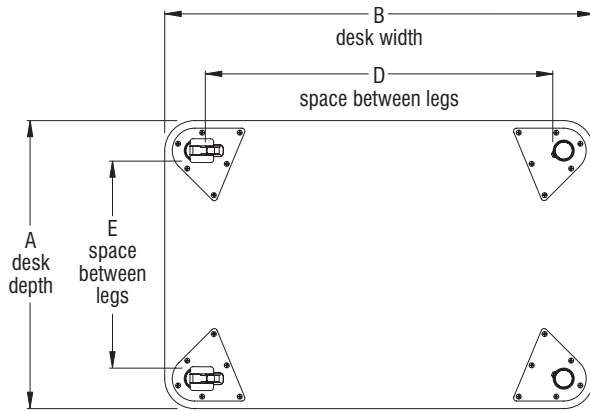


# DIMENSIONS

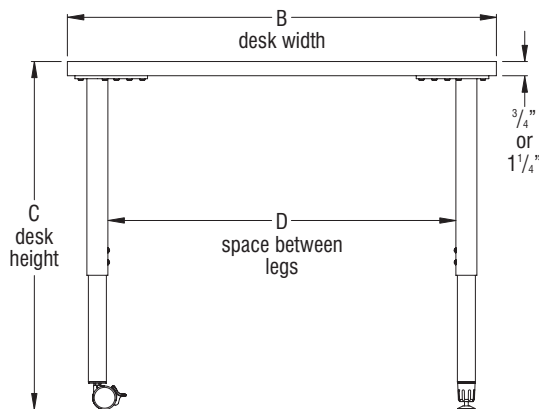
## Ruckus Post-Leg Rectangular Desk

Model Number	A Desk Depth	B Desk Width	C Desk Height	D Space Between Legs	E Space Between Legs	Worksurface Thickness	Fixed Legs	Adjustable Legs	Large Book Box
RDEHA2030-73P	20"	29.75"	11 1/2" - 18 1/2"	23.25"	13.25"	3/4"		•	•
RDEHA2036-73P	20"	35.75"	11 1/2" - 18 1/2"	29"	13.25"	3/4"		•	•
RDEHA2436-73P	24"	35.75"	11 1/2" - 18 1/2"	29"	17.25"	3/4"		•	•
RDEAA2030	20"	29.75"	29"	23.25"	13.25"	3/4" or 1 1/4"	•		
RDEAA2036	20"	35.75"	29"	29"	13.25"	3/4" or 1 1/4"	•		•
RDEAA2436	24"	35.75"	29"	29"	17.25"	3/4" or 1 1/4"	•		•
RDEEA2030	20"	29.75"	20" - 33"	23.25"	13.25"	3/4" or 1 1/4"		•	
RDEEA2036	20"	35.75"	20" - 33"	29"	13.25"	3/4" or 1 1/4"		•	•
RDEEA2037ADA	20"	37"	20" - 33"	30.25"	13.25"	3/4" or 1 1/4"		•	•
RDEEA2436	24"	35.75"	20" - 33"	29"	17.25"	3/4" or 1 1/4"		•	•
RDEFA2030	20"	29.75"	29" - 42"	23.25"	13.25"	3/4" or 1 1/4"		•	
RDEFA2036	20"	35.75"	29" - 42"	29"	13.25"	3/4" or 1 1/4"		•	•
RDEFA2037ADA	20"	37"	29" - 42"	30.25"	13.25"	3/4" or 1 1/4"		•	•
RDEFA2436	24"	35.75"	29" - 42"	29"	17.25"	3/4" or 1 1/4"		•	•

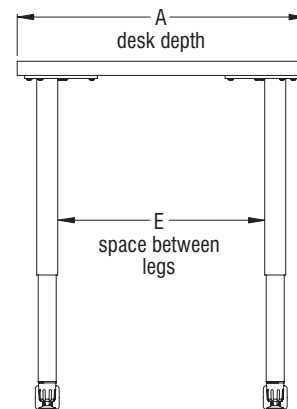
(model RDEEA2436 with caster/glide base shown)



(bottom view)



(front view)



(side view)

**Note:** Desk height dimensions in the chart above (excluding RDEHA models) represent desks with a nominal worksurface thickness of 1 1/4". If the worksurface thickness is 3/4", 1/2" must be subtracted from the "desk height" column in the chart. Reference the "Desk/Table Storage Dimensions" charts on pages 8-10 for storage clearance dimensions.

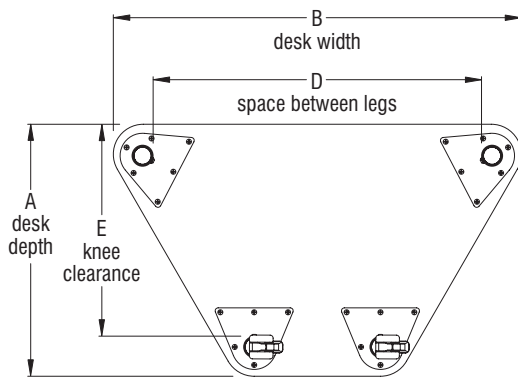
**Note:** For Ruckus Post-Leg Rectangular Desk models RDEAA2030, RDEEA2030, RDEFA2030 and RDEHA2030 the entire Ruckus chair frame will not fit between the legs, and therefore will not stack on the desk surface.

# DIMENSIONS

## Ruckus Post-Leg Trapezoid Desk

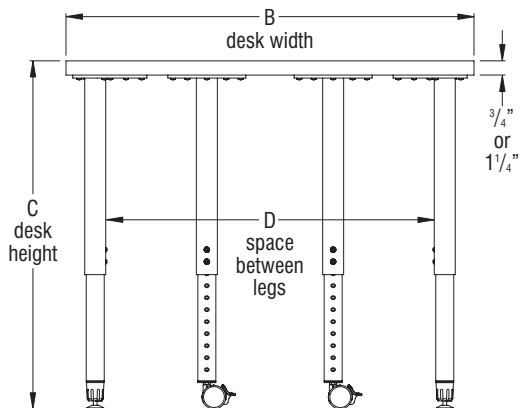
Model Number	A Desk Depth	B Desk Width	C Desk Height	D Space Between Legs	E Knee Clearance	Worksurface Thickness	Fixed Legs	Adjustable Legs	Large Book Box
RDEAM34	21"	34"	29"	27.38"	17.69"	3/4" or 1 1/4"	•		
RDEAM37	23.50"	37"	29"	30.38"	20.19"	3/4" or 1 1/4"	•		•
RDEEM34	21"	34"	20" - 33"	27.38"	17.69"	3/4" or 1 1/4"		•	
RDEEM37	23.50"	37"	20" - 33"	30.38"	20.19"	3/4" or 1 1/4"		•	•
RDEFM34	21"	34"	29" - 42"	27.38"	17.69"	3/4" or 1 1/4"		•	
RDEFM37	23.50"	37"	29" - 42"	30.38"	20.19"	3/4" or 1 1/4"		•	•

(model RDEEM34 with caster/glide base shown)

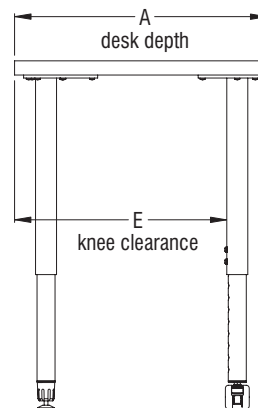


(bottom view)

**Note:** Desk height dimensions in the chart above represent desks with a nominal worksurface thickness of 1 1/4". If the worksurface thickness is 3/4", 1/2" must be subtracted from the "desk height" column in the chart. Reference the "Desk/Table Storage Dimensions" charts on pages 8-10 for storage clearance dimensions.



(front view)



(side view)

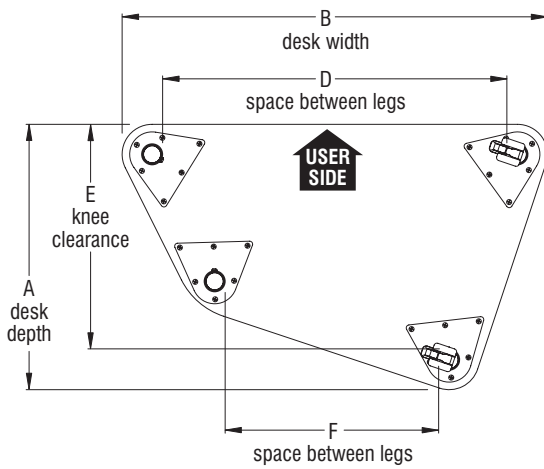


# DIMENSIONS

## Ruckus Post-Leg Oddquad Desk

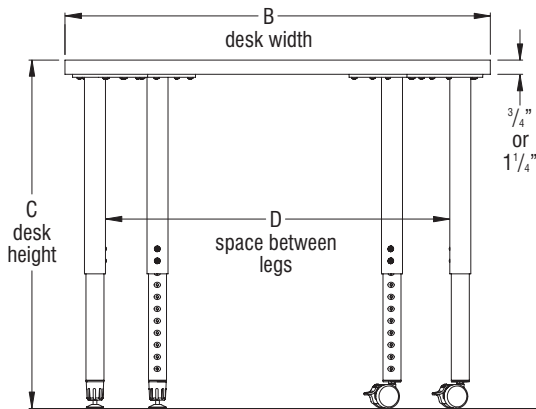
Model Number	A Desk Depth	B Desk Width	C Desk Height	D Space Between Legs	E Knee Clearance	F Space Between Legs	Worksurface Thickness	Fixed Legs	Adjustable Legs	Large Book Box
RDEAZ36	22.11"	35.44"	29"	28.69"	18.74"	18.85"	3/4" or 1 1/4"	•		
RDEAZ39	23.98"	38.56"	29"	31.81"	20.61"	21.32"	3/4" or 1 1/4"	•		•
RDEEZ36	22.11"	35.44"	20" - 33"	28.69"	18.74"	18.85"	3/4" or 1 1/4"		•	
RDEEZ39	23.98"	38.56"	20" - 33"	31.81"	20.61"	21.32"	3/4" or 1 1/4"		•	•
RDEFZ36	22.11"	35.44"	29" - 42"	28.69"	18.74"	18.85"	3/4" or 1 1/4"		•	
RDEFZ39	23.98"	38.56"	29" - 42"	31.81"	20.61"	21.32"	3/4" or 1 1/4"		•	•

(model RDEEZ36 with caster/glide base shown)

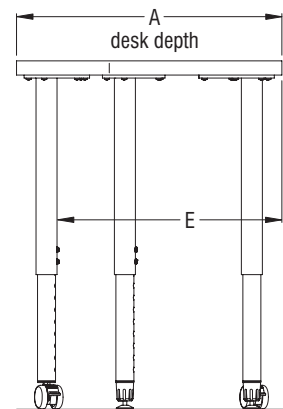


(bottom view)

**Note:** Desk height dimensions in the chart above represent desks with a nominal worksurface thickness of 1 1/4". If the worksurface thickness is 3/4", 1/2" must be subtracted from the "desk height" column in the chart. Reference the "Desk/Table Storage Dimensions" charts on pages 8-10 for storage clearance dimensions.



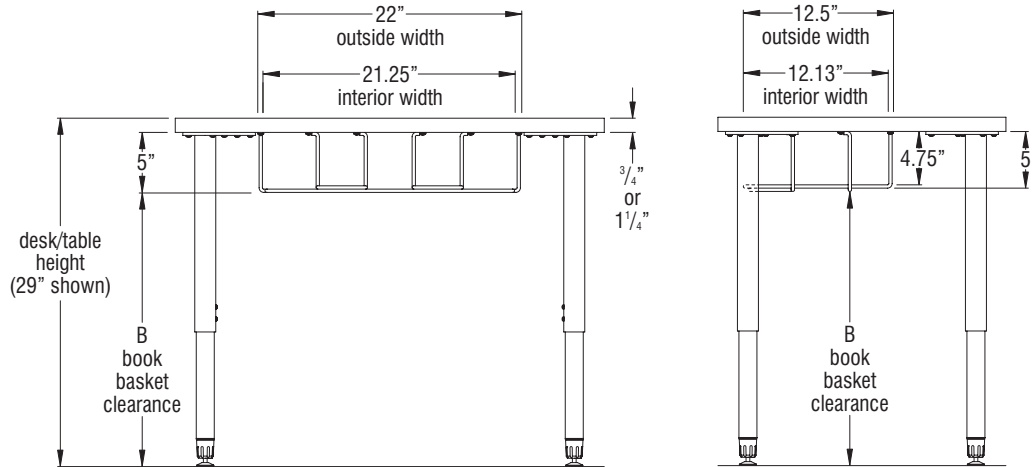
(front view)



(side view)

## DIMENSIONS - Desk/Table Storage Dimensions

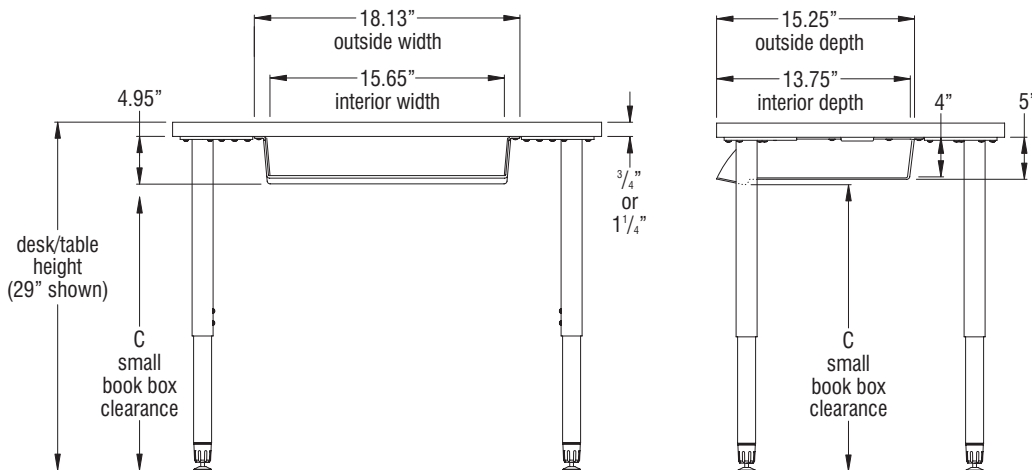
### Book Basket



Book Basket	
Model Number	IL.85.0005
Outside Width	22"
Outside Depth	12.5"
Outside Height	5"
Interior Width	21.25"
Interior Depth	12.13"
Interior Height	4.75"

Reference the "Desk/Table Storage Clearance" chart on page 10 for storage clearance dimensions.

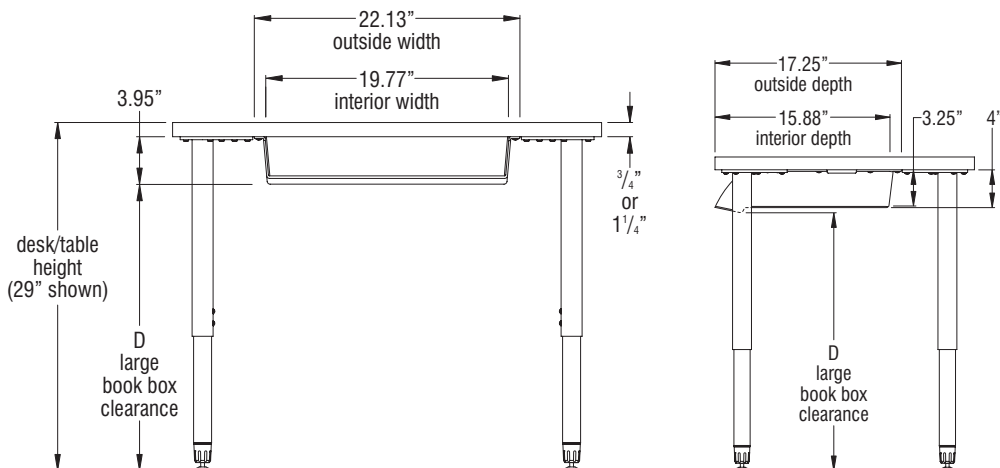
### Small Book Box



Small Book Box	
Model Number	46.6232
Outside Width	18.13"
Outside Depth	15.25"
Outside Height	5"
Interior Width	15.65"
Interior Depth	13.75"
Interior Height	4"

Reference the "Desk/Table Storage Clearance" chart on page 10 for storage clearance dimensions.

### Large Book Box

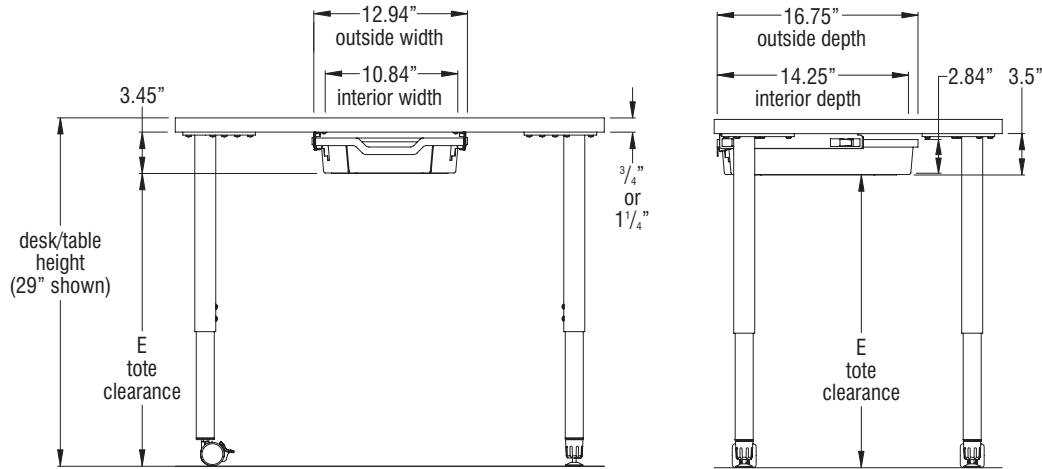


Large Book Box	
Model Number	46.9359
Outside Width	22.13"
Outside Depth	17.25"
Outside Height	4"
Interior Width	19.77"
Interior Depth	15.88"
Interior Height	3.25"

Reference the "Desk/Table Storage Clearance" chart on page 10 for storage clearance dimensions.

## DIMENSIONS - Desk/Table Storage Dimensions

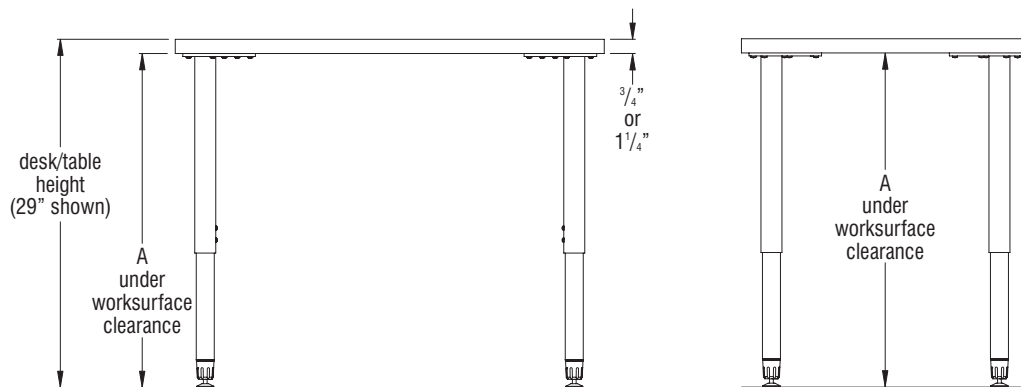
### Tote



3" Tote with Rails	
Model Number	RKAUSRTKIT I
Outside Width	12.94"
Outside Depth	16.75"
Outside Height	3.5"
Interior Width	10.84"
Interior Depth	14.25"
Interior Height	2.84"

Reference the "Desk/Table Storage Clearance" chart on page 10 for storage clearance dimensions.

### Ruckus Activity Table (with no storage unit)



Reference the "Desk/Table Storage Clearance" chart on page 10 for storage clearance dimensions.

Desk/Table Storage Clearance



Desk/ Table Height Range	A No Desk/Table Storage Under Worksurface Clearance	B Book Basket Clearance	C Small Book Box Clearance	D Large Book Box Clearance	E Tote Clearance
12"	10.82"	5.82"	5.87"	6.86"	7.37"
13"	11.82"	6.82"	6.87"	7.86"	8.37"
14"	12.82"	7.82"	7.87"	8.86"	9.37"
15"	13.82"	8.82"	8.87"	9.86"	10.37"
16"	14.82"	9.82"	9.87"	10.86"	11.37"
17"	15.82"	10.82"	10.87"	11.86"	12.37"
18"	16.82"	11.82"	11.87"	12.86"	13.37"
19"	17.82"	12.82"	12.87"	13.86"	14.37"
20"	18.82"	13.82"	13.87"	14.86"	15.37"
21"	19.82"	14.82"	14.87"	15.86"	16.37"
22"	20.82"	15.82"	15.87"	16.86"	17.37"
23"	21.82"	16.82"	16.87"	17.86"	18.37"
24"	22.82"	17.82"	17.87"	18.86"	19.37"
25"	23.82"	18.82"	18.87"	19.86"	20.37"
26"	24.82"	19.82"	19.87"	20.86"	21.37"
27"	25.82"	20.82"	20.87"	21.86"	22.37"
28"	26.82"	21.82"	21.87"	22.86"	23.37"
<b>*29"</b>	<b>27.82"</b>	<b>22.82"</b>	<b>22.87"</b>	<b>23.86"</b>	<b>24.37"</b>
30"	28.82"	23.82"	23.87"	24.86"	25.37"
31"	29.82"	24.82"	24.87"	25.86"	26.37"
32"	30.82"	25.82"	25.87"	26.86"	27.37"
33"	31.82"	26.82"	26.87"	27.86"	28.37"
34"	32.82"	27.82"	27.87"	28.86"	29.37"
35"	33.82"	28.82"	28.87"	29.86"	30.37"
36"	34.82"	29.82"	29.87"	30.86"	31.37"
37"	35.82"	30.82"	30.87"	31.86"	32.37"
38"	36.82"	31.82"	31.87"	32.86"	33.37"
39"	37.82"	32.82"	32.87"	33.86"	34.37"
40"	38.82"	33.82"	33.87"	34.86"	35.37"
41"	39.82"	34.82"	34.87"	35.86"	36.37"
42"	40.82"	35.82"	35.87"	36.86"	37.37"

**\*Note:** Adjustable legs with a height range of 12-19" are shipped from the factory pre-set to 19" table height. Adjustable legs with a height range of 20-42" are shipped from the factory pre-set to 29" table height.

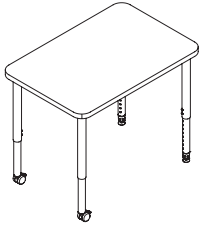
**Note:** The storage clearance figures shown on the two previous pages are represented with model RDEEA2436. Clearance dimensions in the chart above represent tables with a nominal tabletop thickness of 1 1/4".



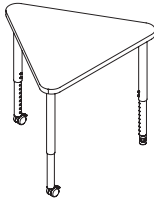
STATEMENT OF LINE

Ruckus Post-Leg Desk

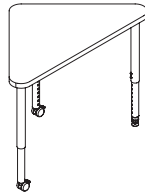
CODE COMPLIANCE



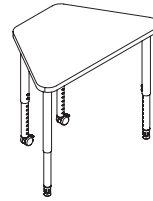
Rectangular Desk  
RDEAA  
RDEEA  
RDEFA  
RDEHA



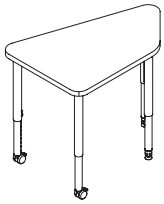
E-Triangle Desk  
RDEAK  
RDEEK  
RDEFK  
RDEHK



R-Triangle Desk  
RDEAL  
RDEEL  
RDEFL

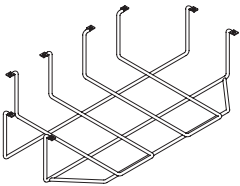


Trapezoid Desk  
RDEAM  
RDEEM  
RDEFM

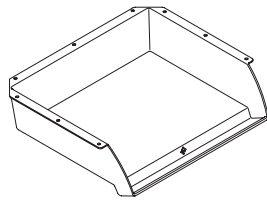


Oddquad Desk  
RDEAZ  
RDEEZ  
RDEFZ

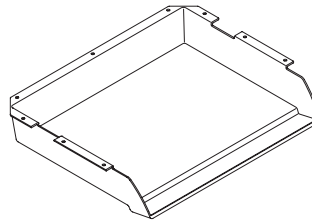
Optional Ruckus Post-Leg Desk Storage



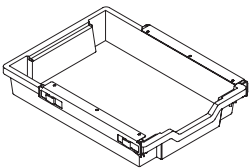
Book Basket  
/BR



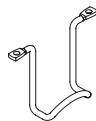
Small Book Box  
/BBS



Large Book Box  
/BBL



Removable Tote Storage  
/RT



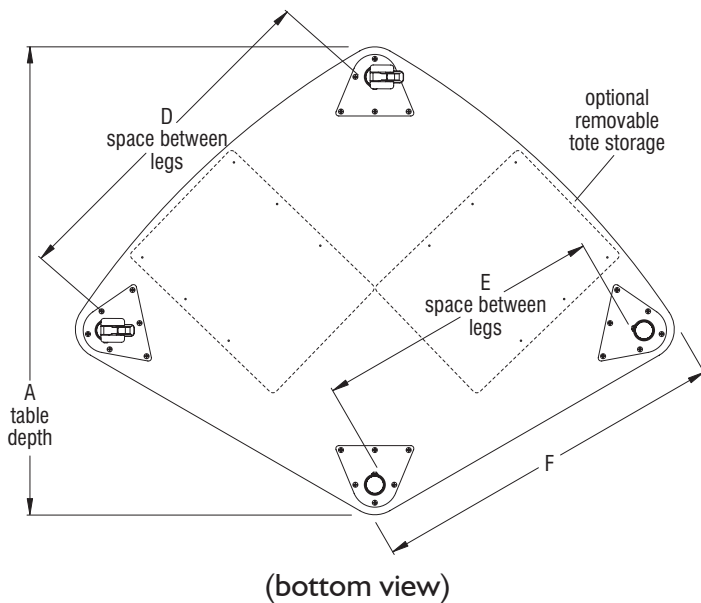
Book Bag Hook  
RKUSBBH1

# DIMENSIONS

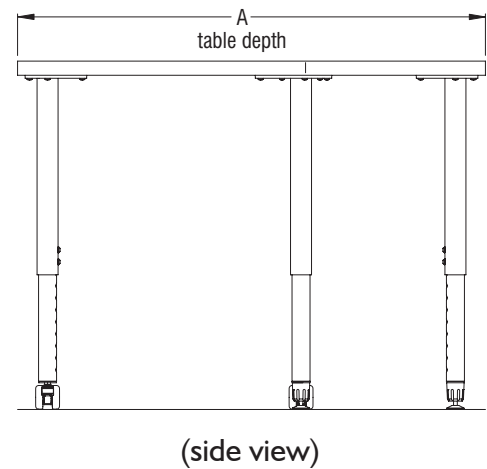
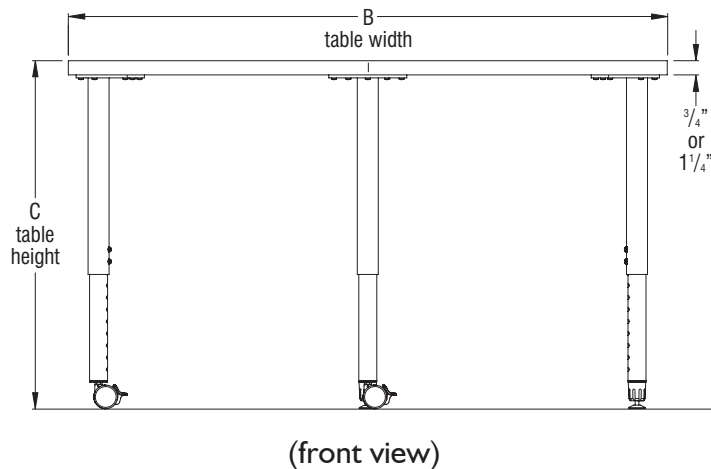
## Ruckus Diamond Activity Table

Model Number	A Table Depth	B Table Width	C Table Height	D Space Between Legs	E Space Between Legs	F	Worksurface Thickness	Fixed Legs	Adjustable Legs	Removable Tote Storage
RTEAE24	31.08"	39.75"	29"	22"	18.19"	24"	3/4" or 1 1/4"	•		0
RTEAE30	38.99"	49.91"	29"	29.06"	24.11"	30"	3/4" or 1 1/4"	•		2
RTEAE36	47.05"	60"	29"	36.24"	29.97"	36"	3/4" or 1 1/4"	•		2
RTEEE24	31.08"	39.75"	20" - 33"	22"	18.19"	24"	3/4" or 1 1/4"		•	0
RTEEE30	38.99"	49.91"	20" - 33"	29.06"	24.11"	30"	3/4" or 1 1/4"		•	2
RTEEE36	47.05"	60"	20" - 33"	36.24"	29.97"	36"	3/4" or 1 1/4"		•	2
RTEFE24	31.08"	39.75"	29" - 42"	29.06"	24.11"	24"	3/4" or 1 1/4"		•	0
RTEFE30	38.99"	49.91"	29" - 42"	36.24"	29.97"	30"	3/4" or 1 1/4"		•	2
RTEFE36	47.05"	60"	29" - 42"	36.24"	29.97"	36"	3/4" or 1 1/4"		•	2

(model RTEEE30 with caster/glide base shown)



**Note:** Table height dimensions in the chart above represent tables with a nominal tabletop thickness of 1 1/4". If the tabletop thickness is 3/4", 1/2" must be subtracted from the "table height" column in the chart. Reference the "Desk/Table Storage Dimensions" charts on pages 8-10 for storage clearance dimensions.

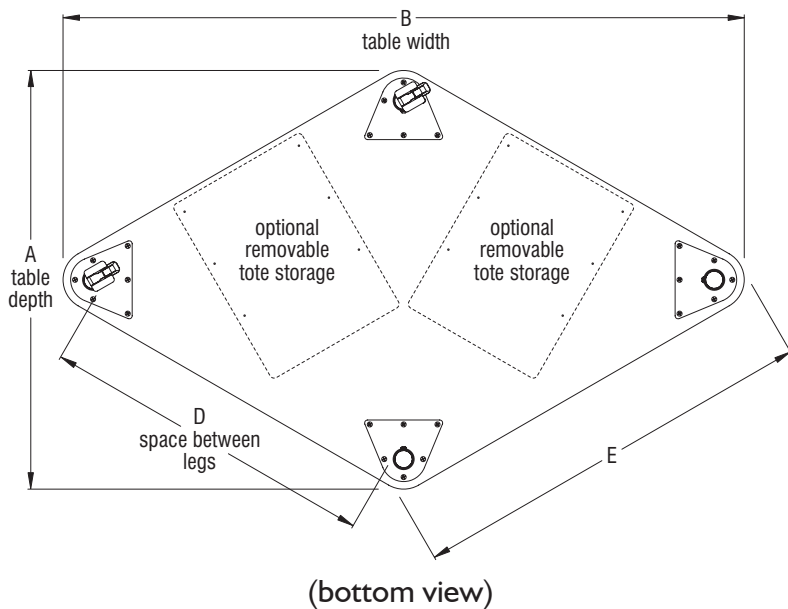


# DIMENSIONS

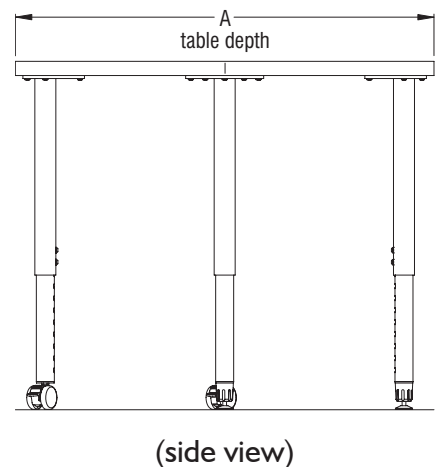
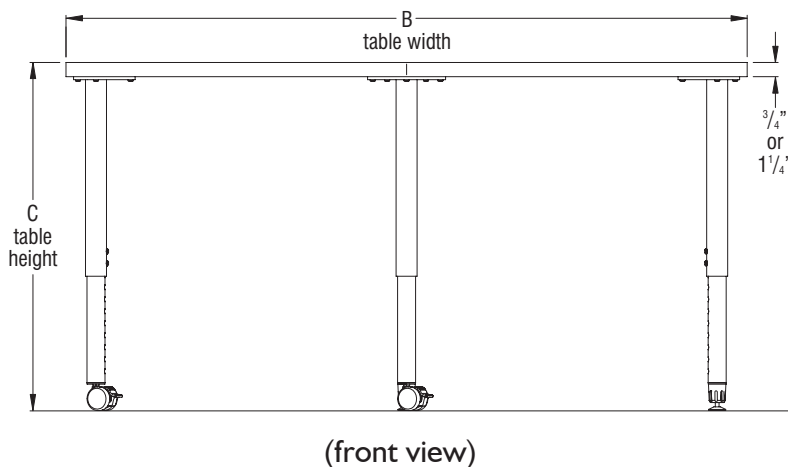
## Ruckus Kite Activity Table

Model Number	A Table Depth	B Table Width	C Table Height	D Space Between Legs	E	Worksurface Thickness	Fixed Legs	Adjustable Legs	Removable Tote Storage
RTEHJ34-73P	34.89"	56.77"	11 1/2" - 18 1/2"	28.14"	33.83"	3/4"		•	2
RTEHJ39-73P	39.89"	65.43"	11 1/2" - 18 1/2"	33.14"	38.83"	3/4"		•	2
RTEAJ34	34.89"	56.77"	29"	28.14"	33.83"	3/4" or 1 1/4"	•		2
RTEAJ39	39.89"	65.43"	29"	33.14"	38.83"	3/4" or 1 1/4"	•		2
RTEEJ34	34.89"	56.77"	20" - 33"	28.14"	33.83"	3/4" or 1 1/4"		•	2
RTEEJ39	39.89"	65.43"	20" - 33"	33.14"	38.83"	3/4" or 1 1/4"		•	2
RTEFJ34	34.89"	56.77"	29" - 42"	28.14"	33.83"	3/4" or 1 1/4"		•	2
RTEFJ39	39.89"	65.43"	29" - 42"	33.14"	38.83"	3/4" or 1 1/4"		•	2

(model RDEEJ34 with caster/glide base shown)



**Note:** Table height dimensions in the chart above (excluding RTEHJ models) represent tables with a nominal tabletop thickness of 1 1/4". If the tabletop thickness is 3/4", 1/2" must be subtracted from the "table height" column in the chart. Reference the "Desk/Table Storage Dimensions" charts on pages 8-10 for storage clearance dimensions.



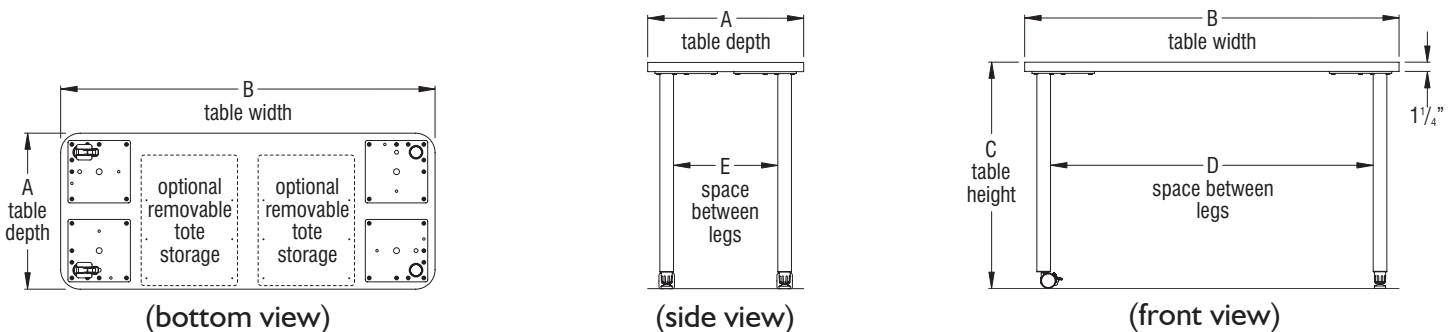
# DIMENSIONS

## Ruckus Rectangular Activity Table with Rounded Corners - Fixed-Height

Model Number	A Table Depth	B Table Width	C Table Height	D Space Between Legs	E Space Between Legs	Worksurface Thickness	Single Stiffener	Dual Stiffener	Middle Leg	Removable Tote Storage
RTEAA2048	20"	48"	29"	41.37"	13.37"	1 1/4"				2
RTEAA2054	20"	54"	29"	47.37"	13.37"	1 1/4"				2
RTEAA2060	20"	60"	29"	53.37"	13.37"	1 1/4"	•			2
RTEAA2066	20"	66"	29"	59.37"	13.37"	1 1/4"	•			2
RTEAA2072	20"	72"	29"	65.37"	13.37"	1 1/4"	•			3
RTEAA2430	24"	30"	29"	23.37"	17.37"	1 1/4"				0
RTEAA2436	24"	36"	29"	29.37"	17.37"	1 1/4"				1
RTEAA2448	24"	48"	29"	41.37"	17.37"	1 1/4"				2
RTEAA2454	24"	54"	29"	47.37"	17.37"	1 1/4"				2
RTEAA2460	24"	60"	29"	53.37"	17.37"	1 1/4"	•			2
RTEAA2466	24"	66"	29"	59.37"	17.37"	1 1/4"	•			2
RTEAA2472	24"	72"	29"	65.37"	17.37"	1 1/4"	•			3
RTEAA3048	30"	48"	29"	41.37"	23.37"	1 1/4"				2
RTEAA3054	30"	54"	29"	47.37"	23.37"	1 1/4"				2
RTEAA3060	30"	60"	29"	53.37"	23.37"	1 1/4"	•			2
RTEAA3066	30"	66"	29"	59.37"	23.37"	1 1/4"	•			2
RTEAA3072	30"	72"	29"	65.37"	23.37"	1 1/4"	•			3
RTEAA3654	36"	54"	29"	47.37"	29.37"	1 1/4"				2
RTEAA3660	36"	60"	29"	53.37"	29.37"	1 1/4"		•		4
RTEAA3666	36"	66"	29"	59.37"	29.37"	1 1/4"		•		4
RTEAA3672	36"	72"	29"	65.37"	29.37"	1 1/4"		•		6
RTEAA4260	42"	60"	29"	53.37"	35.37"	1 1/4"		•		4
RTEAA4266	42"	66"	29"	59.37"	35.37"	1 1/4"		•		4
RTEAA4272	42"	72"	29"	65.37"	35.37"	1 1/4"		•	•	6
RTEAA4460	44"	60"	29"	53.37"	37.37"	1 1/4"		•		4
RTEAA4466	44"	66"	29"	59.37"	37.37"	1 1/4"		•		4
RTEAA4472	44"	72"	29"	65.37"	37.37"	1 1/4"		•	•	6
RTEAA4860	48"	60"	29"	53.37"	41.37"	1 1/4"		•		4
RTEAA4866	48"	66"	29"	59.37"	41.37"	1 1/4"		•		4
RTEAA4872	48"	72"	29"	65.37"	41.37"	1 1/4"		•	•	8

(model RTEAA2048 with caster/glide base shown)

**Note:** Table height dimensions in the chart above represent tables with a nominal tabletop thickness of 1 1/4". Reference the "Desk/Table Storage Dimensions" charts on pages 8-10 for storage clearance dimensions.



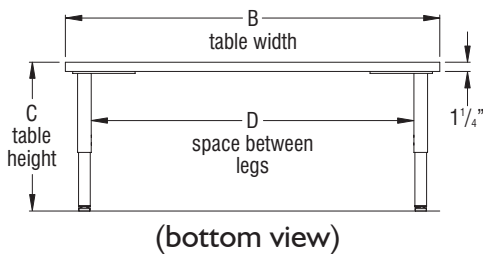


# DIMENSIONS

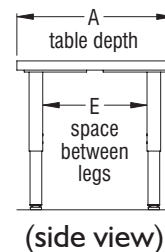
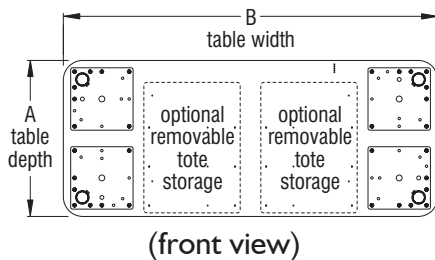
## Ruckus Rectangular Activity Table with Rounded Corners - Floor Adjustable-Height

Model Number	A Table Depth	B Table Width	C Table Height	D Space Between Legs	E Space Between Legs	Worksurface Thickness	Single Stiffener	Dual Stiffener	Middle Leg	Removable Tote Storage
RTEHA2048	20"	48"	12" - 19"	41.37"	13.37"	1 1/4"				2
RTEHA2054	20"	54"	12" - 19"	47.37"	13.37"	1 1/4"				2
RTEHA2060	20"	60"	12" - 19"	53.37"	13.37"	1 1/4"	•			2
RTEHA2066	20"	66"	12" - 19"	59.37"	13.37"	1 1/4"	•			2
RTEHA2072	20"	72"	12" - 19"	65.37"	13.37"	1 1/4"	•			3
RTEHA2436	24"	36"	12" - 19"	29.37"	17.37"	1 1/4"				1
RTEHA2442	24"	42"	12" - 19"	35.37"	17.37"	1 1/4"				2
RTEHA2448	24"	48"	12" - 19"	41.37"	17.37"	1 1/4"				2
RTEHA2454	24"	54"	12" - 19"	47.37"	17.37"	1 1/4"				2
RTEHA2460	24"	60"	12" - 19"	53.37"	17.37"	1 1/4"	•			2
RTEHA2466	24"	66"	12" - 19"	59.37"	17.37"	1 1/4"	•			2
RTEHA2472	24"	72"	12" - 19"	65.37"	17.37"	1 1/4"	•			3
RTEHA3042	30"	42"	12" - 19"	35.37"	23.37"	1 1/4"				2
RTEHA3048	30"	48"	12" - 19"	41.37"	23.37"	1 1/4"				2
RTEHA3054	30"	54"	12" - 19"	47.37"	23.37"	1 1/4"				2
RTEHA3060	30"	60"	12" - 19"	53.37"	23.37"	1 1/4"	•			2
RTEHA3066	30"	66"	12" - 19"	59.37"	23.37"	1 1/4"	•			2
RTEHA3072	30"	72"	12" - 19"	65.37"	23.37"	1 1/4"	•			3
RTEHA3654	36"	54"	12" - 19"	47.37"	29.37"	1 1/4"				2
RTEHA3660	36"	60"	12" - 19"	53.37"	29.37"	1 1/4"		•		4
RTEHA3666	36"	66"	12" - 19"	59.37"	29.37"	1 1/4"		•		4
RTEHA3672	36"	72"	12" - 19"	65.37"	29.37"	1 1/4"		•		6

(model RTEHA2048 with caster/glide base shown)



**Note:** Table height dimensions in the chart above represent tables with a nominal tabletop thickness of 1 1/4". Reference the "Desk/Table Storage Dimensions" charts on pages 8-10 for storage clearance dimensions.



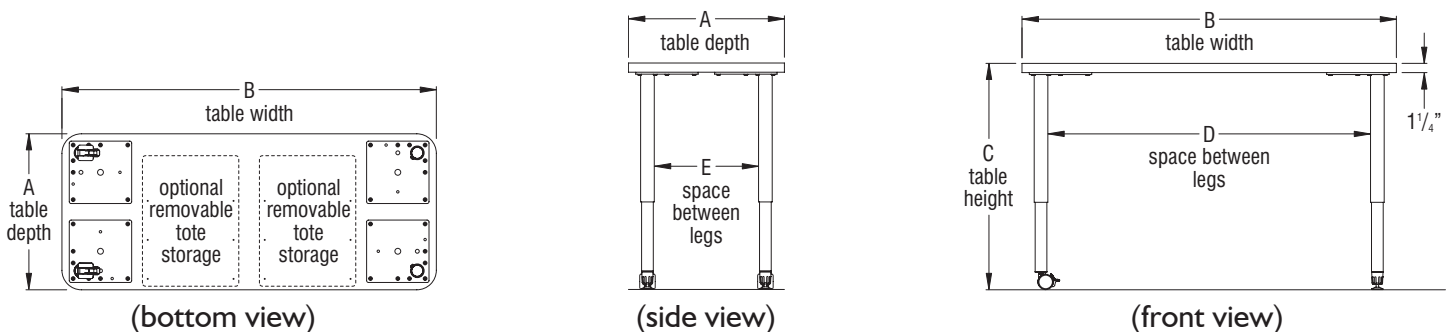
# DIMENSIONS

## Ruckus Rectangular Activity Table with Rounded Corners - Sit Adjustable-Height

Model Number	A Table Depth	B Table Width	C Table Height	D Space Between Legs	E Space Between Legs	Worksurface Thickness	Single Stiffener	Dual Stiffener	Middle Leg	Removable Tote Storage
RTEEA2048	20"	48"	20" - 33"	41.37"	13.37"	1 1/4"				2
RTEEA2054	20"	54"	20" - 33"	47.37"	13.37"	1 1/4"				2
RTEEA2060	20"	60"	20" - 33"	53.37"	13.37"	1 1/4"	•			2
RTEEA2066	20"	66"	20" - 33"	59.37"	13.37"	1 1/4"	•			2
RTEEA2072	20"	72"	20" - 33"	65.37"	13.37"	1 1/4"	•			3
RTEEA2430	24"	30"	20" - 33"	23.37"	17.37"	1 1/4"				0
RTEEA2436	24"	36"	20" - 33"	29.37"	17.37"	1 1/4"				1
RTEEA2448	24"	48"	20" - 33"	41.37"	17.37"	1 1/4"				2
RTEEA2454	24"	54"	20" - 33"	47.37"	17.37"	1 1/4"				2
RTEEA2460	24"	60"	20" - 33"	53.37"	17.37"	1 1/4"	•			2
RTEEA2466	24"	66"	20" - 33"	59.37"	17.37"	1 1/4"	•			2
RTEEA2472	24"	72"	20" - 33"	65.37"	17.37"	1 1/4"	•			3
RTEEA3048	30"	48"	20" - 33"	41.37"	23.37"	1 1/4"				2
RTEEA3054	30"	54"	20" - 33"	47.37"	23.37"	1 1/4"				2
RTEEA3060	30"	60"	20" - 33"	53.37"	23.37"	1 1/4"	•			2
RTEEA3066	30"	66"	20" - 33"	59.37"	23.37"	1 1/4"	•			2
RTEEA3072	30"	72"	20" - 33"	65.37"	23.37"	1 1/4"	•			3
RTEEA3654	36"	54"	20" - 33"	47.37"	29.37"	1 1/4"				2
RTEEA3660	36"	60"	20" - 33"	53.37"	29.37"	1 1/4"		•		4
RTEEA3666	36"	66"	20" - 33"	59.37"	29.37"	1 1/4"		•		4
RTEEA3672	36"	72"	20" - 33"	65.37"	29.37"	1 1/4"		•		6
RTEEA4260	42"	60"	20" - 33"	53.37"	35.37"	1 1/4"		•		4
RTEEA4266	42"	66"	20" - 33"	59.37"	35.37"	1 1/4"		•		4
RTEEA4272	42"	72"	20" - 33"	65.37"	35.37"	1 1/4"		•	•	6
RTEEA4460	44"	60"	20" - 33"	53.37"	37.37"	1 1/4"		•		4
RTEEA4466	44"	66"	20" - 33"	59.37"	37.37"	1 1/4"		•		4
RTEEA4472	44"	72"	20" - 33"	65.37"	37.37"	1 1/4"		•	•	6
RTEEA4860	48"	60"	20" - 33"	53.37"	41.37"	1 1/4"		•		4
RTEEA4866	48"	66"	20" - 33"	59.37"	41.37"	1 1/4"		•		4
RTEEA4872	48"	72"	20" - 33"	65.37"	41.37"	1 1/4"		•	•	8

(model RTEEA2048 with caster/glide base shown)

**Note:** Table height dimensions in the chart above represent tables with a nominal tabletop thickness of 1 1/4". Reference the "Desk/Table Storage Dimensions" charts on pages 8-10 for storage clearance dimensions.



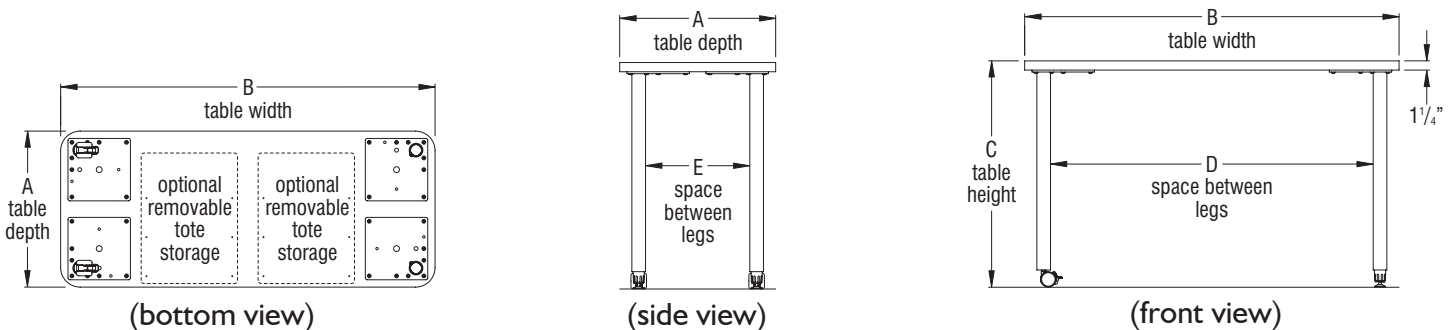
# DIMENSIONS

## Ruckus Rectangular Activity Table with Rounded Corners - Sit-Stand Adjustable-Height

Model Number	A Table Depth	B Table Width	C Table Height	D Space Between Legs	E Space Between Legs	Worksurface Thickness	Single Stiffener	Dual Stiffeners	Middle Leg	Removable Tote Storage
RTEFA2048	20"	48"	29" - 42"	41.37"	13.37"	1 1/4"				2
RTEFA2054	20"	54"	29" - 42"	47.37"	13.37"	1 1/4"				2
RTEFA2060	20"	60"	29" - 42"	53.37"	13.37"	1 1/4"	•			2
RTEFA2066	20"	66"	29" - 42"	59.37"	13.37"	1 1/4"	•			2
RTEFA2072	20"	72"	29" - 42"	65.37"	13.37"	1 1/4"	•			3
RTEFA2430	24"	30"	29" - 42"	23.37"	17.37"	1 1/4"				0
RTEFA2436	24"	36"	29" - 42"	29.37"	17.37"	1 1/4"				1
RTEFA2448	24"	48"	29" - 42"	41.37"	17.37"	1 1/4"				2
RTEFA2454	24"	54"	29" - 42"	47.37"	17.37"	1 1/4"				2
RTEFA2460	24"	60"	29" - 42"	53.37"	17.37"	1 1/4"	•			2
RTEFA2466	24"	66"	29" - 42"	59.37"	17.37"	1 1/4"	•			2
RTEFA2472	24"	72"	29" - 42"	65.37"	17.37"	1 1/4"	•			3
RTEFA3048	30"	48"	29" - 42"	41.37"	23.37"	1 1/4"				2
RTEFA3054	30"	54"	29" - 42"	47.37"	23.37"	1 1/4"				2
RTEFA3060	30"	60"	29" - 42"	53.37"	23.37"	1 1/4"	•			2
RTEFA3066	30"	66"	29" - 42"	59.37"	23.37"	1 1/4"	•			2
RTEFA3072	30"	72"	29" - 42"	65.37"	23.37"	1 1/4"	•			3
RTEFA3654	36"	54"	29" - 42"	47.37"	29.37"	1 1/4"				2
RTEFA3660	36"	60"	29" - 42"	53.37"	29.37"	1 1/4"		•		4
RTEFA3666	36"	66"	29" - 42"	59.37"	29.37"	1 1/4"		•		4
RTEFA3672	36"	72"	29" - 42"	65.37"	29.37"	1 1/4"		•		6
RTEFA4260	42"	60"	29" - 42"	53.37"	35.37"	1 1/4"		•		4
RTEFA4266	42"	66"	29" - 42"	59.37"	37.37"	1 1/4"		•		4
RTEFA4272	42"	72"	29" - 42"	65.37"	35.37"	1 1/4"		•	•	6
RTEFA4460	44"	60"	29" - 42"	53.37"	37.37"	1 1/4"		•		4
RTEFA4466	44"	66"	29" - 42"	59.37"	37.37"	1 1/4"		•		4
RTEFA4472	44"	72"	29" - 42"	65.37"	37.37"	1 1/4"		•	•	6
RTEFA4860	48"	60"	29" - 42"	53.37"	41.37"	1 1/4"		•		4
RTEFA4866	48"	66"	29" - 42"	59.37"	41.37"	1 1/4"		•		4
RTEFA4872	48"	72"	29" - 42"	65.37"	41.37"	1 1/4"		•	•	8

(model RTEFA2048 with caster/glide base shown)

**Note:** Table height dimensions in the chart above represent tables with a nominal tabletop thickness of 1 1/4". Reference the "Desk/Table Storage Dimensions" charts on pages 8-10 for storage clearance dimensions.



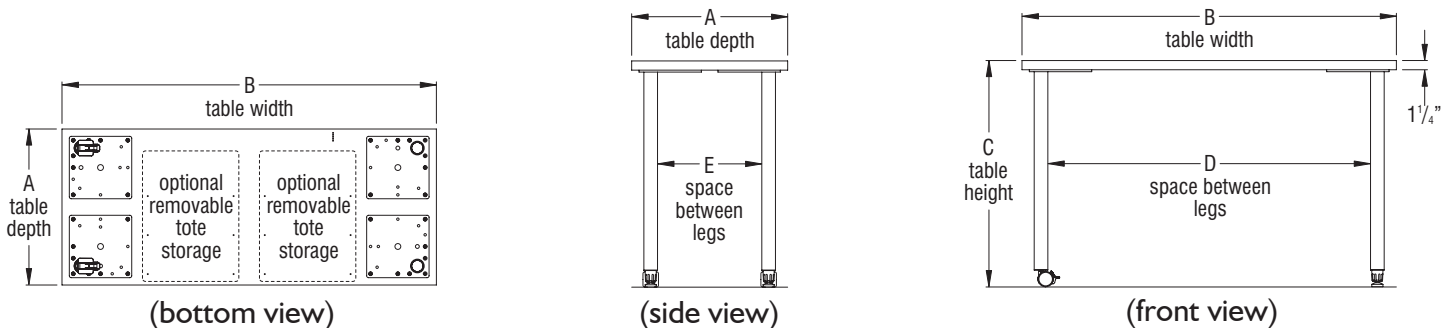
# DIMENSIONS

## Ruckus Rectangular Activity Table with Square Corners - Fixed-Height

Model Number	A Table Depth	B Table Width	C Table Height	D Space Between Legs	E Space Between Legs	Worksurface Thickness	Single Stiffener	Dual Stiffener	Middle Leg	Removable Tote Storage
RXEAA2048	20"	48"	12" - 19"	41.37"	13.37"	1 1/4"				2
RXEAA2054	20"	54"	12" - 19"	47.37"	13.37"	1 1/4"				2
RXEAA2060	20"	60"	12" - 19"	53.37"	13.37"	1 1/4"	•			2
RXEAA2066	20"	66"	12" - 19"	59.37"	13.37"	1 1/4"	•			2
RXEAA2072	20"	72"	12" - 19"	65.37"	13.37"	1 1/4"	•			3
RXEAA2430	24"	30"	12" - 19"	23.37"	17.37"	1 1/4"				0
RXEAA2436	24"	36"	12" - 19"	29.37"	17.37"	1 1/4"				1
RXEAA2448	24"	48"	12" - 19"	41.37"	17.37"	1 1/4"				2
RXEAA2454	24"	54"	12" - 19"	47.37"	17.37"	1 1/4"				2
RXEAA2460	24"	60"	12" - 19"	53.37"	17.37"	1 1/4"	•			2
RXEAA2466	24"	66"	12" - 19"	59.37"	17.37"	1 1/4"	•			2
RXEAA2472	24"	72"	12" - 19"	65.37"	17.37"	1 1/4"	•			3
RXEAA3048	30"	48"	12" - 19"	41.37"	23.37"	1 1/4"				2
RXEAA3054	30"	54"	12" - 19"	47.37"	23.37"	1 1/4"				2
RXEAA3060	30"	60"	12" - 19"	53.37"	23.37"	1 1/4"	•			2
RXEAA3066	30"	66"	12" - 19"	59.37"	23.37"	1 1/4"	•			2
RXEAA3072	30"	72"	12" - 19"	65.37"	23.37"	1 1/4"	•			3
RXEAA3654	36"	54"	12" - 19"	47.37"	29.37"	1 1/4"				2
RXEAA3660	36"	60"	12" - 19"	53.37"	29.37"	1 1/4"		•		4
RXEAA3666	36"	66"	12" - 19"	59.37"	29.37"	1 1/4"		•		4
RXEAA3672	36"	72"	12" - 19"	65.37"	29.37"	1 1/4"		•		6
RXEAA4260	42"	60"	12" - 19"	53.37"	35.37"	1 1/4"		•		4
RXEAA4266	42"	66"	12" - 19"	59.37"	35.37"	1 1/4"		•		4
RXEAA4272	42"	72"	12" - 19"	65.37"	35.37"	1 1/4"		•	•	6
RXEAA4460	44"	60"	12" - 19"	53.37"	37.37"	1 1/4"		•		4
RXEAA4466	44"	66"	12" - 19"	59.37"	37.37"	1 1/4"		•		4
RXEAA4472	44"	72"	12" - 19"	65.37"	37.37"	1 1/4"		•	•	6
RXEAA4860	48"	60"	12" - 19"	53.37"	41.37"	1 1/4"		•		4
RXEAA4866	48"	66"	12" - 19"	59.37"	41.37"	1 1/4"		•		4
RXEAA4872	48"	72"	12" - 19"	65.37"	41.37"	1 1/4"		•	•	8

(model RXEAA2048 with caster/glide base shown)

**Note:** Table height dimensions in the chart above represent tables with a nominal tabletop thickness of 1 1/4". Reference the "Desk/Table Storage Dimensions" charts on pages 8-10 for storage clearance dimensions.



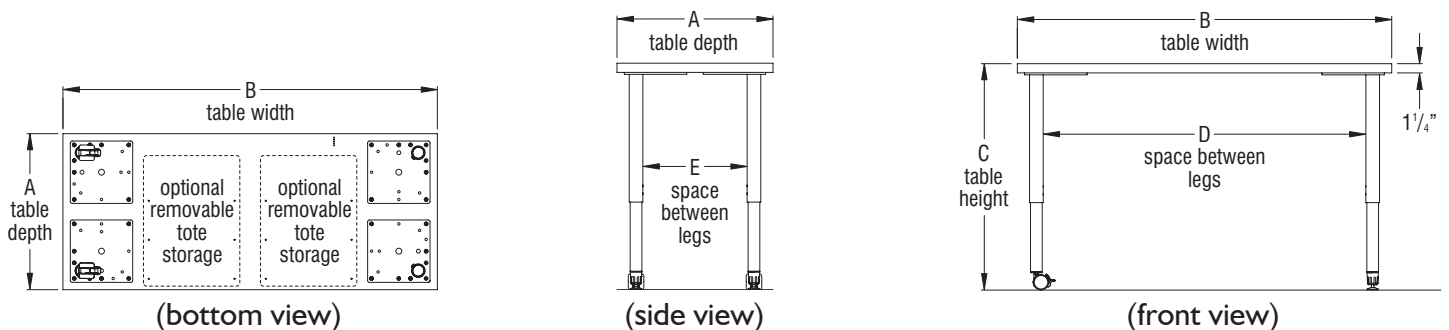
# DIMENSIONS

## Ruckus Rectangular Activity Table with Square Corners - Sit Adjustable-Height

Model Number	A Table Depth	B Table Width	C Table Height	D Space Between Legs	E Space Between Legs	Worksurface Thickness	Single Stiffener	Dual Stiffener	Middle Leg	Removable Tote Storage
RXEEA2048	20"	48"	20" - 33"	41.37"	13.37"	1 1/4"				2
RXEEA2054	20"	54"	20" - 33"	47.37"	13.37"	1 1/4"				2
RXEEA2060	20"	60"	20" - 33"	53.37"	13.37"	1 1/4"	•			2
RXEEA2066	20"	66"	20" - 33"	59.37"	13.37"	1 1/4"	•			2
RXEEA2072	20"	72"	20" - 33"	65.37"	13.37"	1 1/4"	•			3
RXEEA2430	24"	30"	20" - 33"	23.37"	17.37"	1 1/4"				0
RXEEA2436	24"	36"	20" - 33"	29.37"	17.37"	1 1/4"				1
RXEEA2448	24"	48"	20" - 33"	41.37"	17.37"	1 1/4"				2
RXEEA2454	24"	54"	20" - 33"	47.37"	17.37"	1 1/4"				2
RXEEA2460	24"	60"	20" - 33"	53.37"	17.37"	1 1/4"	•			2
RXEEA2466	24"	66"	20" - 33"	59.37"	17.37"	1 1/4"	•			2
RXEEA2472	24"	72"	20" - 33"	65.37"	17.37"	1 1/4"	•			3
RXEEA3048	30"	48"	20" - 33"	41.37"	23.37"	1 1/4"				2
RXEEA3054	30"	54"	20" - 33"	47.37"	23.37"	1 1/4"				2
RXEEA3060	30"	60"	20" - 33"	53.37"	23.37"	1 1/4"	•			2
RXEEA3066	30"	66"	20" - 33"	59.37"	23.37"	1 1/4"	•			2
RXEEA3072	30"	72"	20" - 33"	65.37"	23.37"	1 1/4"	•			3
RXEEA3654	36"	54"	20" - 33"	47.37"	29.37"	1 1/4"				2
RXEEA3660	36"	60"	20" - 33"	53.37"	29.37"	1 1/4"		•		4
RXEEA3666	36"	66"	20" - 33"	59.37"	29.37"	1 1/4"		•		4
RXEEA3672	36"	72"	20" - 33"	65.37"	29.37"	1 1/4"		•		6
RXEEA4260	42"	60"	20" - 33"	53.37"	35.37"	1 1/4"		•		4
RXEEA4266	42"	66"	20" - 33"	59.37"	35.37"	1 1/4"		•		4
RXEEA4272	42"	72"	20" - 33"	65.37"	35.37"	1 1/4"		•	•	6
RXEEA4460	44"	60"	20" - 33"	53.37"	37.37"	1 1/4"		•		4
RXEEA4466	44"	66"	20" - 33"	59.37"	37.37"	1 1/4"		•		4
RXEEA4472	44"	72"	20" - 33"	65.37"	37.37"	1 1/4"		•	•	6
RXEEA4860	48"	60"	20" - 33"	53.37"	41.37"	1 1/4"		•		4
RXEEA4866	48"	66"	20" - 33"	59.37"	41.37"	1 1/4"		•		4
RXEEA4872	48"	72"	20" - 33"	65.37"	41.37"	1 1/4"		•	•	8

(model RXEEA2048 with caster/glide base shown)

**Note:** Table height dimensions in the chart above represent tables with a nominal tabletop thickness of 1 1/4". Reference the "Desk/Table Storage Dimensions" charts on pages 8-10 for storage clearance dimensions.



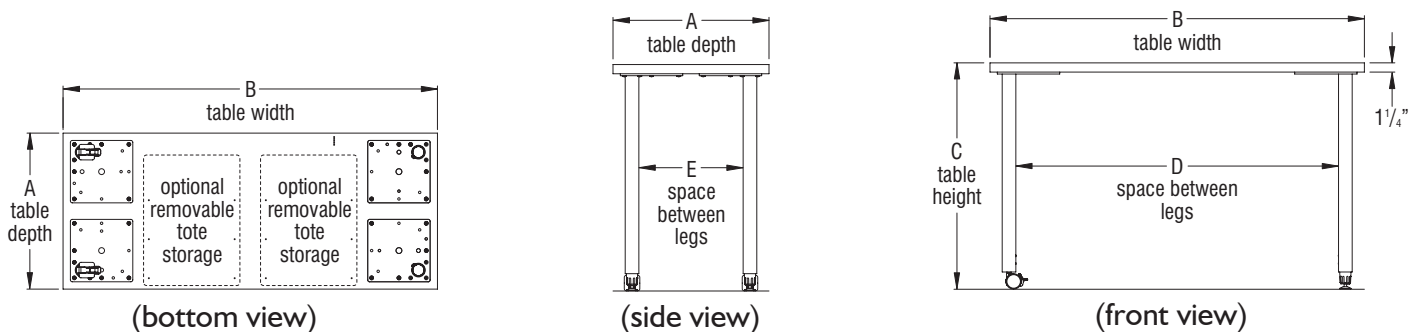
# DIMENSIONS

## Ruckus Rectangular Activity Table with Square Corners - Sit-Stand Adjustable-Height

Model Number	A Table Depth	B Table Width	C Table Height	D Space Between Legs	E Space Between Legs	Worksurface Thickness	Single Stiffener	Dual Stiffeners	Middle Leg	Removable Tote Storage
RXEFA2048	20"	48"	29" - 42"	41.37"	13.37"	1 1/4"				2
RXEFA2054	20"	54"	29" - 42"	47.37"	13.37"	1 1/4"				2
RXEFA2060	20"	60"	29" - 42"	53.37"	13.37"	1 1/4"	•			2
RXEFA2066	20"	66"	29" - 42"	59.37"	13.37"	1 1/4"	•			2
RXEFA2072	20"	72"	29" - 42"	65.37"	13.37"	1 1/4"	•			3
RXEFA2430	24"	30"	29" - 42"	23.37"	17.37"	1 1/4"				0
RXEFA2436	24"	36"	29" - 42"	29.37"	17.37"	1 1/4"				1
RXEFA2448	24"	48"	29" - 42"	41.37"	17.37"	1 1/4"				2
RXEFA2454	24"	54"	29" - 42"	47.37"	17.37"	1 1/4"				2
RXEFA2460	24"	60"	29" - 42"	53.37"	17.37"	1 1/4"	•			2
RXEFA2466	24"	66"	29" - 42"	59.37"	17.37"	1 1/4"	•			2
RXEFA2472	24"	72"	29" - 42"	65.37"	17.37"	1 1/4"	•			3
RXEFA3048	30"	48"	29" - 42"	41.37"	23.37"	1 1/4"				2
RXEFA3054	30"	54"	29" - 42"	47.37"	23.37"	1 1/4"				2
RXEFA3060	30"	60"	29" - 42"	53.37"	23.37"	1 1/4"	•			2
RXEFA3066	30"	66"	29" - 42"	59.37"	23.37"	1 1/4"	•			2
RXEFA3072	30"	72"	29" - 42"	65.37"	23.37"	1 1/4"	•			3
RXEFA3654	36"	54"	29" - 42"	47.37"	29.37"	1 1/4"				2
RXEFA3660	36"	60"	29" - 42"	53.37"	29.37"	1 1/4"		•		4
RXEFA3666	36"	66"	29" - 42"	59.37"	29.37"	1 1/4"		•		4
RXEFA3672	36"	72"	29" - 42"	65.37"	29.37"	1 1/4"		•		6
RXEFA4260	42"	60"	29" - 42"	53.37"	35.37"	1 1/4"		•		4
RXEFA4266	42"	66"	29" - 42"	59.37"	37.37"	1 1/4"		•		4
RXEFA4272	42"	72"	29" - 42"	65.37"	35.37"	1 1/4"		•	•	6
RXEFA4460	44"	60"	29" - 42"	53.37"	37.37"	1 1/4"		•		4
RXEFA4466	44"	66"	29" - 42"	59.37"	37.37"	1 1/4"		•		4
RXEFA4472	44"	72"	29" - 42"	65.37"	37.37"	1 1/4"		•	•	6
RXEFA4860	48"	60"	29" - 42"	53.37"	41.37"	1 1/4"		•		4
RXEFA4866	48"	66"	29" - 42"	59.37"	41.37"	1 1/4"		•		4
RXEFA4872	48"	72"	29" - 42"	65.37"	41.37"	1 1/4"		•	•	8

(model RXEFA2048 with caster/glide base shown)

**Note:** Table height dimensions in the chart above represent tables with a nominal tabletop thickness of 1 1/4". Reference the "Desk/Table Storage Dimensions" charts on pages 8-10 for storage clearance dimensions.

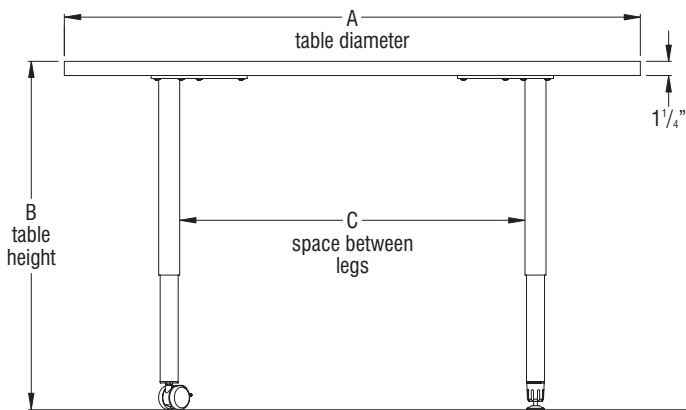


# DIMENSIONS

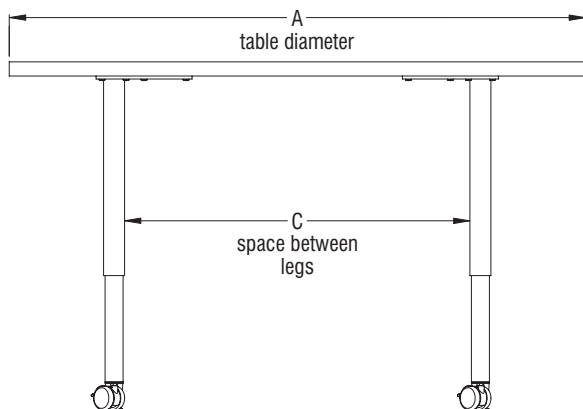
## Ruckus Round Activity Table

Model Number	A Table Diameter	B Table Height	C Space Between Legs	Worksurface Thickness	Fixed Legs	Adjustable Legs	Removable Tote Storage
RTEHB36	36"	12" - 19"	20.29"	1 1/4"		•	0
RTEHB42	42"	12" - 19"	24.53"	1 1/4"		•	0
RTEHB48	48"	12" - 19"	28.78"	1 1/4"		•	4
RTEHB60	60"	12" - 19"	37.26"	1 1/4"		•	4
RTEAB36	36"	29"	20.29"	1 1/4"	•		0
RTEAB42	42"	29"	24.53"	1 1/4"	•		0
RTEAB48	48"	29"	28.78"	1 1/4"	•		4
RTEAB60	60"	29"	37.26"	1 1/4"	•		4
RTEEB36	36"	20" - 33"	20.29"	1 1/4"		•	0
RTEEB42	42"	20" - 33"	24.53"	1 1/4"		•	0
RTEEB48	48"	20" - 33"	28.78"	1 1/4"		•	4
RTEEB60	60"	20" - 33"	37.26"	1 1/4"		•	4
RTEFB36	36"	29" - 42"	20.29"	1 1/4"		•	0
RTEFB42	42"	29" - 42"	24.53"	1 1/4"		•	0
RTEFB48	48"	29" - 42"	28.78"	1 1/4"		•	4
RTEFB60	60"	29" - 42"	37.26"	1 1/4"		•	4

(model RTEEB48 with caster/glide base shown)

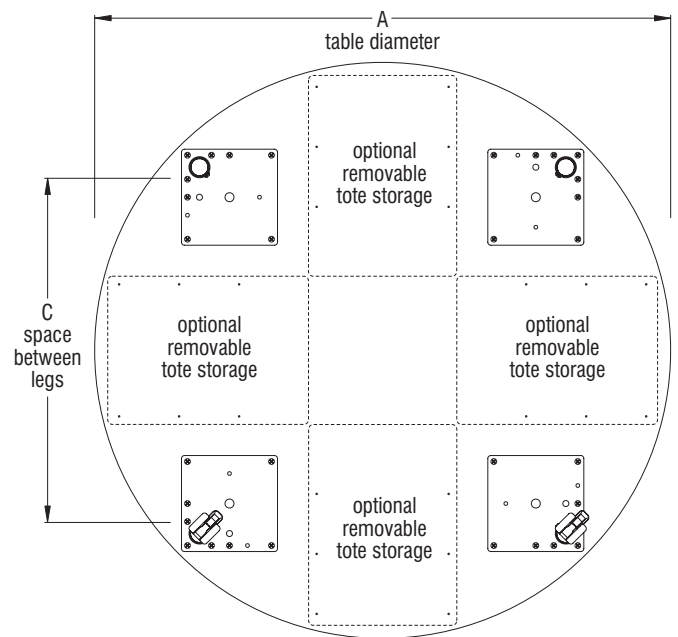


(front view)



(side view)

**Note:** Table height dimensions in the chart above represent tables with a nominal tabletop thickness of 1 1/4". Reference the "Desk/Table Storage Dimensions" charts on pages 8-10 for storage clearance dimensions.



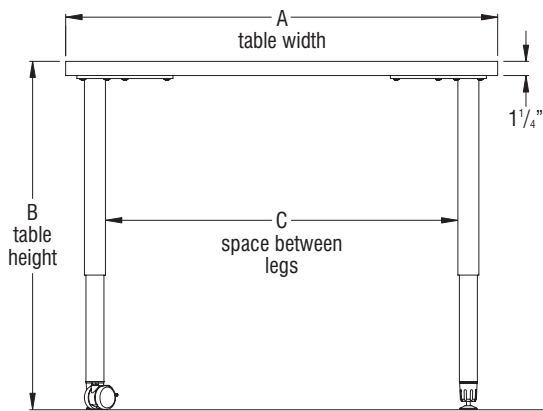
(bottom view)

# DIMENSIONS

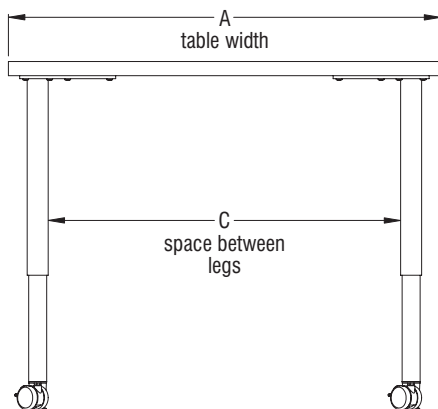
## Ruckus Square Activity Table

Model Number	A Table Width	B Table Height	C Space Between Legs	Worksurface Thickness	Fixed Legs	Adjustable Legs	Removable Tote Storage
RTEHC30	30"	12" - 19"	23.37"	1 1/4"		•	0
RTEHC36	36"	12" - 19"	29.37"	1 1/4"		•	2
RTEHC42	42"	12" - 19"	35.37"	1 1/4"		•	2
RTEHC48	48"	12" - 19"	41.37"	1 1/4"		•	4
RTEAC30	30"	29"	23.37"	1 1/4"	•		0
RTEAC36	36"	29"	29.37"	1 1/4"	•		2
RTEAC42	42"	29"	35.37"	1 1/4"	•		2
RTEAC48	48"	29"	41.37"	1 1/4"	•		4
RTEEC30	30"	20" - 33"	23.37"	1 1/4"		•	0
RTEEC36	36"	20" - 33"	29.37"	1 1/4"		•	2
RTEEC42	42"	20" - 33"	35.37"	1 1/4"		•	2
RTEEC48	48"	20" - 33"	41.37"	1 1/4"		•	4
RTEFC30	30"	29" - 42"	23.37"	1 1/4"		•	0
RTEFC36	36"	29" - 42"	29.37"	1 1/4"		•	2
RTEFC42	42"	29" - 42"	35.37"	1 1/4"		•	2
RTEFC48	48"	29" - 42"	41.37"	1 1/4"		•	4

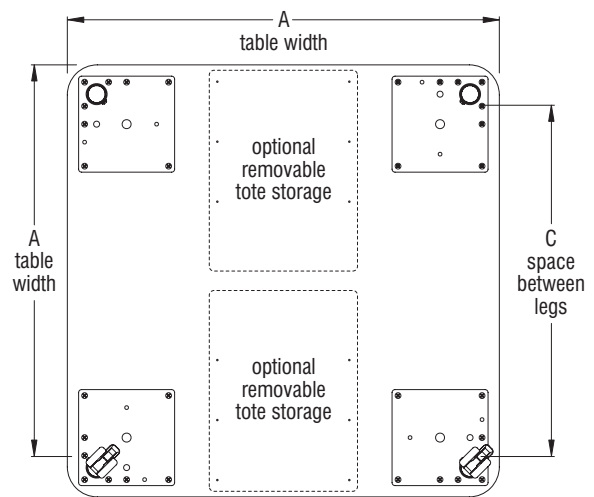
(model RTEEC36 with caster/glide base shown)



(front view)



(side view)



(bottom view)

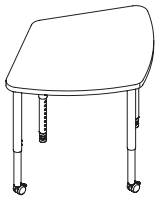
**Note:** Table height dimensions in the chart above represent tables with a nominal tabletop thickness of 1 1/4". Reference the "Desk/Table Storage Dimensions" charts on pages 8-10 for storage clearance dimensions.



STATEMENT OF LINE

Ruckus Activity Tables

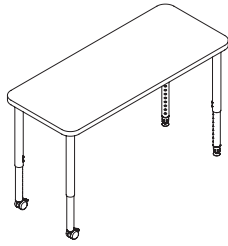
CODE COMPLIANCE



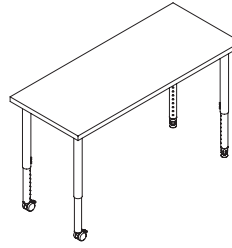
Diamond Table  
RTEAE  
RTEEE  
RTEFE



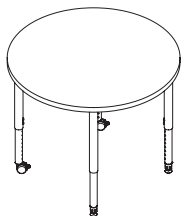
Kite Table  
RTEAJ  
RTEEJ  
RTEFJ  
RTEHJ



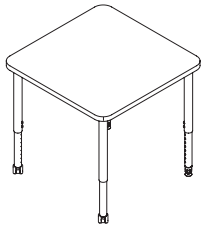
Rectangular Table with  
Rounded Corners  
RTEAA  
RTEEA  
RTEFA  
RTEHA



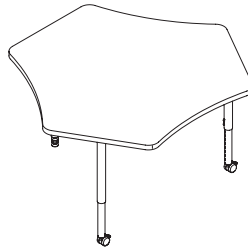
Rectangular Table with  
Square Corners  
RXEAA  
RXEEA  
RXEFA  
RXEFA



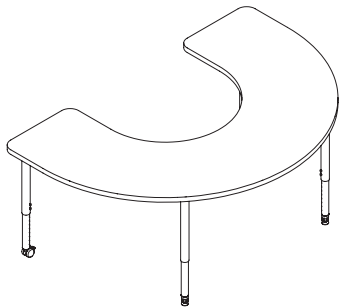
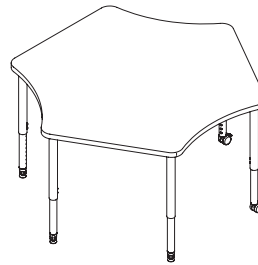
Round Table  
RTEAB  
RTEEB  
RTEFB  
RTEHB



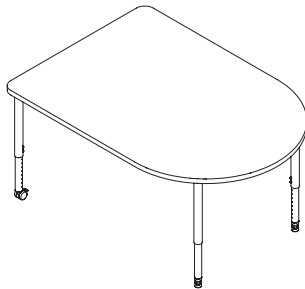
Square Table  
RTEAC  
RTEEC  
RTEFC  
RTEHC



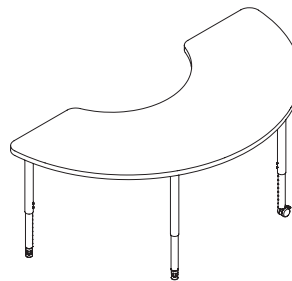
Sprocket Tables  
RTEAG  
RTEEG  
RTEFG  
RTEHG



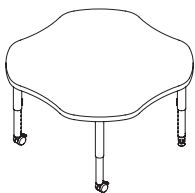
Horseshoe Table  
RTEAC  
RTEEC  
RTEFC  
RTEHH



D-Shaped Table  
RTEAD  
RTEED  
RTEFD

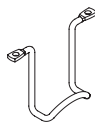


Kidney Table  
RTEAF  
RTEEF  
RTEFF  
RTEHF



Clover Table  
RTEHY  
RTEEY  
RTEFY  
RTEAY

Optional Ruckus Activity  
Table Storage



Book Bag Hook  
RKUSBBH1

# PRODUCT SPECIFICATIONS ■

## MyPlace™ Lounge Furniture

Ottomans, Backless Lounges, 32" Low-Back Lounges, Occasional & Inline Tables

December 2021

### TECHNICAL SPECIFICATIONS

#### Frame

All seat and backrest frames are constructed of  $\frac{3}{4}$ " laminated hardwood plywood, CNC cut. All main frame joints are nailed and glued in addition to interlocking joinery across all stress points.

#### Foam

MyPlace Backless Junior models use foam that is 2.6 density, 80 lb compression with 2" thick seat.  $\frac{3}{4}$ " thick foam covers all exposed sides.

The following MyPlace Ottoman Standard sized models use a high-density foam for firm support: MPI8R, MP26R, MPCRE, MPI8H and MPI8C. The foam is 2.6 density, 80 lb compression with 2" thick seat.  $\frac{3}{4}$ " thick foam covers all exposed sides. The MPTEDP uses a high-density foam that is  $\frac{3}{4}$ " thick, 2.6 density, 80 lb compression.

The following MyPlace Backless & 32" Low-Back Standard sized models use a soft sit high-density foam providing enhanced user comfort: MPSQR, MP5S, MPCRV, MPICB, MPOCB, MPRCT, MPRB, MPCRN, MPSQL, MPC30, MPC45, MPC60, MPC130, MPC145, MPC160, MPCO30, MPCO45 and MPCO60. The foam is 2.5 density, 45 lb compression with 2.5" thick seat, topped with .5" of 2.6 density 80 lb compression foam. The backs are 1.5" total thickness consisting of 1" thick 2.5 density - 45 lb and a .5" topper of 2.6 density - 80 lb compression foam.  $\frac{3}{4}$ " of 2.6 density, 80 lb compression foam covers all exposed sides.

#### Sewing

All MyPlace Lounge units are double-needle stitched at all primary seams for lasting durability.

#### Base Options

##### Poly Feet

Poly feet are 2" high polyurethane, and contain an adjustable glide. The height-adjustable steel  $\frac{1}{4}$ -20 threaded, natural color, impact resistant nylon glide bottom allows for  $\frac{3}{4}$ " of leveling. Poly feet are mounted to the underside frame using  $\frac{5}{16}$ -18 x  $1\frac{1}{2}$ " set screws. Feet are black in color with four or five feet used per lounge, depending upon model.

##### Wood Feet

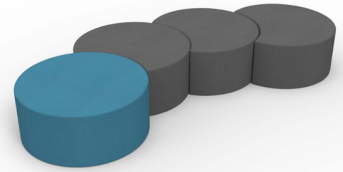
Wood feet are 2" high and made from 2" x 2" x 2" beech hardwood, kiln dried to a moisture content of 6%. Exposed wood is sanded with 220 grit sand paper, then spray stained with KI standard colors, or a non-standard color match and placed in a burn-off oven for one hour at 140-150 degrees. The wood is then sealed to prevent moisture imbalance and finish sanded with 400 grit sand paper for fine detailing. The final step for wood feet is the application of a varnish topcoat, then feet are oven baked. Both the sealer and finish coats contain an anti-microbial protectant. A height-adjustable steel  $\frac{1}{4}$ -20 threaded, natural color, impact resistant nylon glide bottom allows for  $\frac{3}{4}$ " of leveling. Four to five wood feet are used per lounge depending upon model. See KI color addendum for stain color offering.

##### Cast Aluminum Feet

Cast aluminum feet are 2" high and mounted to the underside frame using  $\frac{5}{16}$ -18 x  $1\frac{1}{2}$ " set screws. Feet are offered in brushed aluminum or finished in powder-coat paint with four or five feet used per lounge, depending upon model. A height-adjustable steel  $\frac{1}{4}$ -20 threaded, natural color, impact resistant nylon glide bottom allows for  $\frac{3}{4}$ " of leveling. See KI Color Addendum for paint color offering. Cast aluminum feet are not available on MyPlace Junior models.

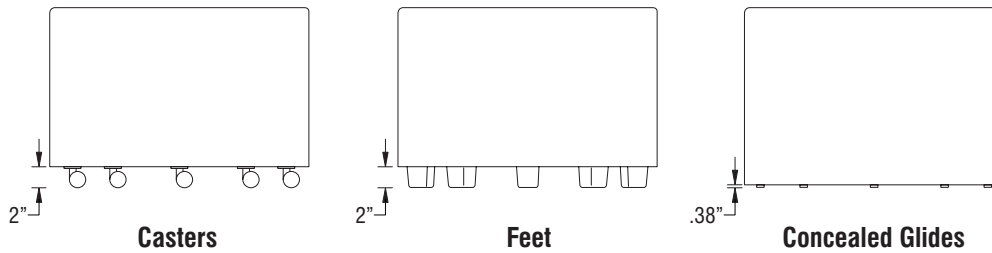
##### Concealed Glides

Concealed glides are height-adjustable steel,  $\frac{1}{4}$ -20 threaded with a natural color nylon bottom. Glides allow for  $\frac{3}{4}$ " of height adjustment, except for in-line table glides which allow for  $\frac{1}{4}$ " height adjustment. Four or five glides are used per lounge depending upon model. In-line table concealed glides are adjustable, screw-in as opposed to nail-in.



Furnishing Knowledge®

## TECHNICAL SPECIFICATIONS



### Base Options (cont.)

#### Casters

Casters are 2" high and use 1 1/2" diameter dual soft swivel wheels with a 150 lb weight rating per caster. They are black in color with four or five casters used per lounge depending upon model. Casters are only available non-locking. **Note:** Caster Lounges cannot be ganged.

#### Ganging

Backless, 32" Low-Back & Table gangers are made from 10-gauge steel (.125" thick), powder-coated black and mounted to the underside of any lounge using 1/4 x 1" wood screws. Only the feet and concealed glide base options are available to use gangers.

#### Tabletops

Tabletops are made up of a high-pressure laminate surface that is glued to a 45 lb density particleboard core. The underside of the top and core is a 1/32" phenolic backer laminated for balanced construction and to help prevent moisture absorption in the core material. A 74P flat polymer edge band is offered in select KI colors (see color addendum). The finished tabletop height is 1 1/4".

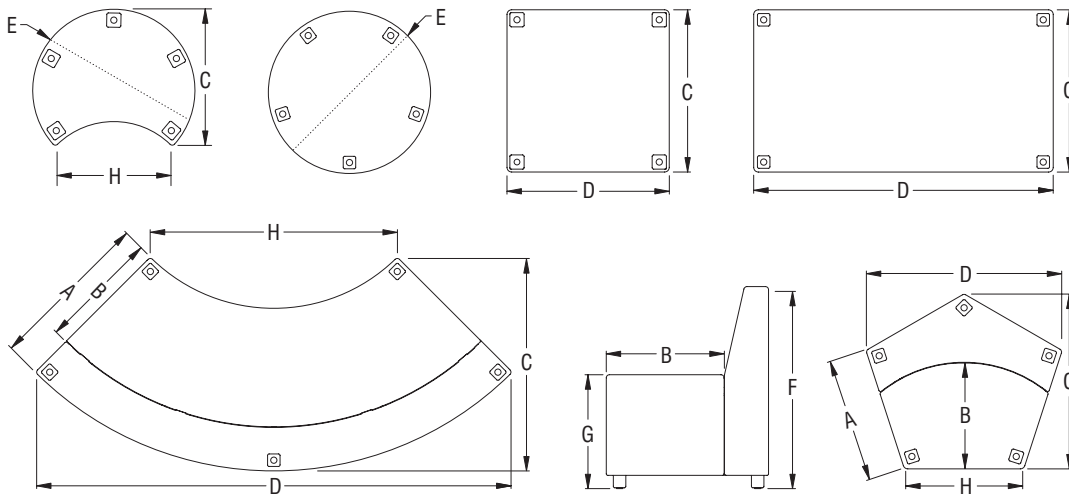
#### Inline Table Construction

Tables are constructed using 3/4" thick medium density fiberboard core, high pressure laminate facing on visible surfaces, phenolic backing sheet on non-visible surfaces and 2 mm polypropylene (73P) edge banding. Each table includes a centrally located divider panel. Panels are secured together using dowels, wood screws and glued joints. Inline tables can be ganged together with other inline tables or with MyPlace lounge pieces having consistent base styles (feet or glides).

## CODE COMPLIANCE



## DIMENSIONS

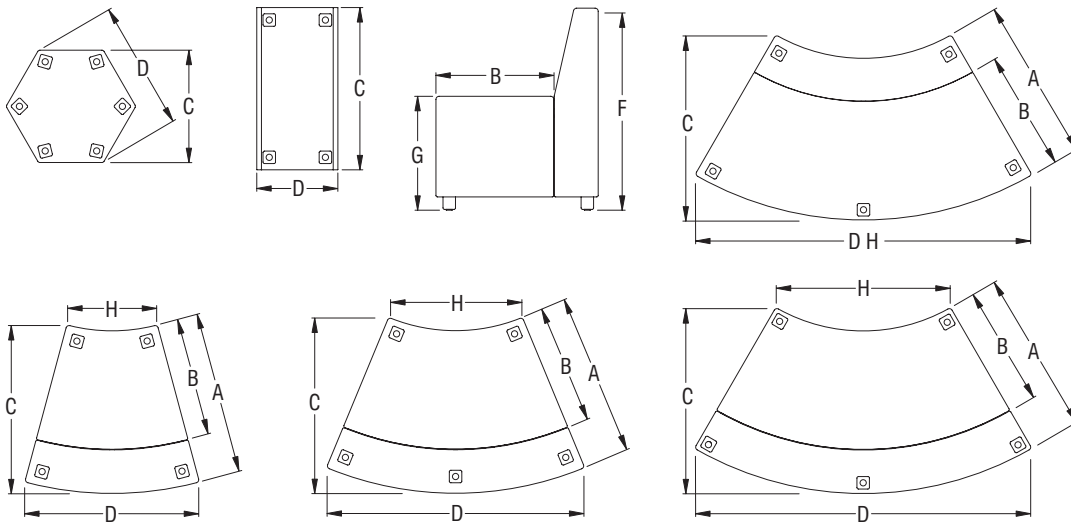


## CODE COMPLIANCE



Lounge Overall Dimension								
Model	A (Back Depth)	B (Seat Depth)	C (Overall Depth)	D (Overall Width)	E (Diameter)	F (Overall Height)	G (Seat Height)	H (Seat Width)
MPI8R					18"	18"	18"	
MP26R					26"	18"	18"	
MPCRE			22"		26"	18"	18"	18 <sup>3</sup> / <sub>4</sub> "
MPI8H			18"	20 <sup>3</sup> / <sub>4</sub> "		18"	18"	
MPI8C			18"	18"		18"	18"	
MPSQR		26"	26"	26"		18"	18"	
MPRCT		26"	26"	48"		18"	18"	
MPSQRL	26"	19"	26"			32"	18"	
MPRB	26"	19"	26"	48"		32"	18"	
MPCRN	26"	19"	26"	26"		32"	18"	
MP5S	20"	17"	28"	31 <sup>1</sup> / <sub>4</sub> "		32"	18"	19"
MPC30			27"	28"		18"	18"	14"
MPC45			28"	41 <sup>1</sup> / <sub>2</sub> "		18"	18"	21"
MPC60			30"	54"		18"	18"	28"
MPCRV			33 <sup>1</sup> / <sub>2</sub> "	76 <sup>1</sup> / <sub>2</sub> "		18"	18"	39 <sup>3</sup> / <sub>4</sub> "

## DIMENSIONS (cont.)

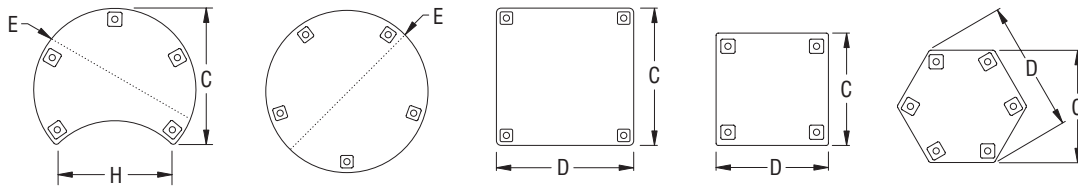


## CODE COMPLIANCE






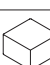


Lounge Overall Dimension									
Model		A (Back Depth)	B (Seat Depth)	C (Overall Depth)	D (Overall Width)	E (Diameter)	F (Overall Height)	G (Seat Height)	H (Seat Width)
	MPCI30	26"	19"	27"	28"		32"	18"	14"
	MPCI45	26"	19"	28"	41 1/2"		32"	18"	21"
	MPCI60	26"	19"	30"	54"		32"	18"	28"
	MPICB	26"	19"	33 1/2"	76 1/2"		32"	18"	39 3/4"
	MPCO30	26"	19"	27"	28"		32"	18"	14"
	MPCO45	26"	19"	28"	41 1/2"		32"	18"	21"
	MPCO60	26"	19"	30"	54"		32"	18"	28"
	MPOCB	26"	19"	33 1/2"	76 1/2"		32"	18"	39 3/4"
	MPT18R					18"	18"	18"	
	MPT26R					26"	18"	18"	
	MPTSQR		26"	26"	26"		18"	18"	
	MYPTED			26"	13"		18"		
	MPTEDP		26"	26"	13"		18"	18"	13"

# JUNIOR DIMENSIONS



Junior Lounge Overall Dimension

Model	A (Back Depth)	B (Seat Depth)	C (Overall Depth)	D (Overall Width)	E (Diameter)	F (Overall Height)	G (Seat Height)	H (Seat Width)
 MPJ18R					18"	14"	14"	
 MPJ26R					26"	14"	14"	
 MPJCRE			22"		26"	14"	14"	18 <sup>3</sup> / <sub>4</sub> "
 MPJ18C		18"	18"	21"		14"	14"	
 MPJ18H		18"	18"	18"		14"	14"	
 MPJSQR		22"	22"	22"		14"	14"	

# CODE COMPLIANCE



# PRODUCT SPECIFICATIONS ■

## Pillar® Tables

March 2023

### TECHNICAL SPECIFICATIONS

#### Tabletops

##### Standard Tabletops

Standard tabletops are nominal 1 1/4" overall thickness with .030" thick high-pressure laminate top surface and .028" phenolic backer (bottom surface). The density of the core in standard tops is 45 lb/cu ft particleboard, M3 grade. The Pillar Table is available with the 2 mm (74P) edge.

##### 90° Outside Curve Tabletops

Outside curve tabletops are nominal 1 1/4" overall thickness with .030" thick high-pressure laminate top surface and .028" phenolic backer (bottom surface). The density of the core in outside curve tops is 45 lb/cu ft particleboard, M3 grade. The tabletop is available with the 2 mm (74P) edge. This outside curve is supported at the underside, between two tables of equal depth by four 11-gauge (.125" thick) splice plates. While secured between two tables, no leg is required to support the tabletop.

#### Leg Assembly

Leg assemblies come in three variations to accommodate three overall table heights: 29" standard, 36" standard and 42" standing height depending on the table shape. The leg construction consist of a 2 1/4" O.D., 14-gauge steel tubing welded to a 1/4" thick 8" x 8" steel plate. A 1/4" thick steel insert is welded in the bottom of each leg tube with a 1/2"-13 UNC threaded hole where the casters or glides attach. The legs are attached to the tabletop using #12 x 1" screws. Casters and glides are shipped in separate cartons and must to be installed upon assembly of the table.

#### Casters & Glides

Each table includes either casters or glides. Each caster table includes a set of locking and non-locking wheel casters. Casters are made of molded nylon and come in two colors. Glides are black nylon, overmolded on a steel insert for strength. Glides and casters are not interchangeable without changing the table height. Caster wheels are a minimum of 2 7/16" (63 mm) diameter. Caster wheel treads are a medium hard (75 max Shore A) for easy mobility on carpet or hard floors. Glides have a smooth bottom surface for mobility. Glides have a height adjustment range of 1" to allow for uneven surfaces.

#### Ganging Mechanism

Molded of black, high-strength nylon, the hook and peg combination draws tables together back-to-back or side-by-side. Once the ganging mechanism is installed, no tools are required when joining tables. Gangers are self-storing under the table when not in use. Tops are pre-drilled for placement of ganging pegs. Two gangers, four pegs and all mounting screws are included in the kit. One kit per table joint is required. Field installed.

#### Wire Management

##### Wire Trough

The wire trough is a cord management accessory that is provided with the Pillar table if Pattern electrical components are specified with the order. If the Pillar table is specified with any 3-prong plug module unit, then a wire trough must be ordered separately. Constructed of 18-gauge steel with a powder-coated finish in all KI standard finishes. Screws are provided for attachment to the underside of the tabletop, and tops are pre-drilled for wire trough locations. Provides multiple access holes to feed wires, and includes cutouts for installation of additional Pattern snap-in RPT power modules.

##### Vertical Leg Wire Management

A color matched extrusion made of aluminum "snaps" to the Pillar leg, managing cables and wires exiting power modules or standard grommets installed on the tabletop. The extrusion is 12" long. Vertical wire managers are included when powered Pillar tables are ordered.



## TECHNICAL SPECIFICATIONS

### Wire Management (cont.)

#### Velcro® Wire Management

The Velcro wire manager is constructed of 2" x 4 1/2" Velcro hook and loop material with a looped pull tab. The wire manager is provided with adhesive backing and screws for attachment to the underside of the top. Tops are pre-drilled for locating wire manager, but the manager may be applied in any convenient location. One or two Velcro wire managers are included when Pattern power modules are ordered, and wire clips are provided when power modules with 3-prong plugs are ordered. Field installed.

### Grommets

#### Flip-Top Grommets for Dean® & Nacre® Power Modules

Flip-top grommets are surface-mounted covers, constructed of 18-gauge steel. Grommets have a flip-up receding door and are identical in cutout size to the Nacre or Dean power modules listed below, which allows for retrofitting corresponding power modules at a later date. One grommet ships per table, which is located in the center of the tops. Two grommets ship per conference table, which are located near the center of the tops. Grommets are finished with powder-coat paint and available in all KI paint colors. The flip-up door is designed to allow cords to remain routed through the opening while it is closed and allows for more cord routing space when the flip-up door is opened. Field installed.

#### Circular Grommet for Node® Power Module

The Node circular grommet is an open top, surface-mounted grommet constructed of aluminum. The overall diameter of 3.15" fits into a 3" diameter cutout in the surface. One grommet ships per table, which is located in the center of the tops. Two grommets ship per conference table, which are located near the center of the tops. Grommets are finished with powder-coat paint and available in all KI paint colors. Not available in chrome. Field installed.

### Power Modules

#### Dean In-Surface Power Module

Dean In-Surface power module consists of two simplex receptacles (rated at 15 amps/125 volts), one USB-A port and one USB-C port, 2 amps per port, and one data jack opening. The module can be modified to fit various brand jacks. Data tree ships with Dean in-surface power modules. Data connectors are not supplied with the module and are purchased by the customer. The Dean in-surface module is 8.12" long by 2.31" wide by 2.5" high and fits securely into a 7.81" x 1.93" cutout. Module is mechanically attached to the worksurface with screws from the underside. The module has a molded plastic faceplate with steel trim and an aluminum housing. Modules comes standard with either 9' or 15' cord with a 3-prong plug, or a 20" cord with a Pattern™ connector. A 40" cord option is available for larger conference tables with two power modules. Dean power module is rated at 15 amps/120 volts and is UL listed.

#### Dean Clamp-On Power Module

Dean clamp-on power module consists of two simplex receptacles (rated at 15 amps/125 volts), one USB-A and one USB-C port, 2 amps per port. Dean clamp-on module is 5.50" long by 3.06" wide by 3.38" high. The module has a smooth molded plastic faceplate with an anodized aluminum housing. Clamp-on mounting style positions the module at a right angle to the worksurface and uses two thumb screws for attachment, without the need for table cutouts. Clamp is 3" wide, extends 1 3/4" onto edge of surface and can accommodate a maximum surface thickness of 1 1/2". Modules come standard with either 3', 9' or 15' cord with a 3-prong plug, or a 40" cord with a Pattern connector. Dean power module is rated at 15 amps/120 volts and is UL listed.

#### Dubbel™ Undersurface Power Module

Dubbel undersurface module consists of two simplex receptacles (rated at 15 amps/125 volts), one USB-A port and one USB-C port, 2 amps per port. Dubbel is 7.63" wide by 1.75" tall by 5.25" deep. The module is made of molded plastic and secures under the worksurface with two 5/16 x 2" Phillips round-head screws. Modules come standard with either 3', 9' or 15' cord with a 3-prong plug, or a 40" cord with a Pattern connector. Dubbel power module is rated at 15 amps/120 volts and is UL listed.



### Power Modules (cont.)



#### Nacre Pop-Up In-Surface Module

Nacre Pop-Up In-Surface consists of two simplex receptacles (rated at 15 amps/125 volts), one USB-A port and one USB-C port, 2 amps per port, and one data jack opening. The module can be modified to fit various brand jacks. Data tree ships with Nacre power modules. Data connectors are not supplied with the module and are purchased by the customer. Nacre is 7.25" long by 3.31" wide by 2.92" high and fits securely into a 6.94" x 3" cutout with .38" radius corners. The module is made of molded plastic. The module is a pop-up design with a dampened spring-loaded mechanism to allow the unit to smoothly open for use and close smoothly when not in use. Modules come standard with either 9' or 15' cord with a 3-prong plug, or a 20" cord with a Pattern connector. A 40" cord option is available for larger conference tables with two power modules. Nacre power module is rated at 15 amps/120 volts and is UL listed.

#### Node® In-Surface Power Module

Node In-Surface power module consists of one simplex receptacle (rated at 15 amps/125 volts), includes one USB-A port, and one USB-C port, 2 amps per port. Node is 3.38" in diameter by 3.30" tall fits and securely into a 3" diameter cutout. The module housing is made of plastic with a powder-coat painted aluminum faceplate. Modules come standard with either 9' or 15' cord with a 3-prong plug, or a 20" or 40" cord with a Pattern connector. Node power module is rated at 15 amps/120 volts and is UL listed.

#### Snap-In RPT Power Module

Snap-In RPT module is only available for use with Pattern™ electrical system. Snap-in module consists of two simplex receptacles (rated at 15 amps/125 volts). Snap-in RPT fits securely in user facing cutouts located on the wire trough, mounted under the table. Modules comes standard with a 20" or 40" pattern connector, rated at 15 amps/120 volts and is UL listed.

### Pattern Electrical System

Select Pillar table models can be configured with Pattern electrical system. The Pattern electrical system is ETL Listed, evaluated to safety standard UL 962A (USA) and CAN/CSA-C22.2 No. 308 (Canada). It allows for a maximum up to ten distribution blocks and up to 50' of power jumpers from the power infeed (in either direction), whichever comes first. Pattern allows up to eighteen power modules depending on table width, and connects to one 15-amp power supply cord (power infeed with 3-prong plug). Pattern is a non-sequential system and the infeed is compatible with ground fault interrupter (GFI/GFCI) outlets. Power modules for Pattern are specified as an option on Pillar tables.

#### Pattern Power Distribution Blocks

Pattern power distributions blocks are standalone connectors, each containing four port locations. Distribution blocks are included with appropriate power jumper and power infeed kits, so do not need to be ordered separately. Distribution blocks bring the power infeed, power jumpers, and power modules together and allow power to be efficiently supplied to each table. Two distribution block types are included with the Pattern system, grey and white.

#### Pattern Table-to-Table Power Jumper Kits

Pattern table-to-table jumper power kits come with one grey distribution block and an appropriately sized power jumper. Jumpers are nonsequential and are keyed on each end to connect between distribution blocks. Table-to-table power jumper kits are ordered separately, according to layout configuration.

#### Pattern Power Infeed Kits

The Pattern power infeed kit must be ordered separately. Site configurations vary and will affect the number of power infeeds required. The number and size of tables, as well as the number of receptacles per table and amperage needs in each ganging configuration will determine the number of power infeed kits required at any given installation. Infeeds can be installed anywhere in the run.

Kit comes with one grey Pattern power distribution block, one 12" power jumper, one white Pattern power distribution block and Pattern power infeed cord. Power infeed consists of a 15-amp 3-prong plug on one end of the 108" cord and a keyed connector at the opposite end of the cord. A Pattern quick-release tool is also included to assist with disconnecting connector ends from distribution blocks.

### Modesty Panels

Optional 10" modesty panels are available on select Pillar models and available in perforated steel or laminate.

#### Laminated Modesty Panel

Laminated modesty panels have a .685" overall thickness with .30" thick high-pressure laminate on front and back surfaces. The density of the core inside the panel is 45 lb/cu ft particleboard, M3 grade. Modesty panels are 10" tall and vary in shape depending on the table it is paired with. On 48" wide rectangle tables, the modesty panel is 47<sup>3</sup>/<sub>4</sub>" wide. On 90° inside curve tables, the modesty panel has a 54" radius, with an arc length of 85", so it can follow the curve of the back edge of the table. On 90° outside curve tables, the modesty panel has a 27<sup>1</sup>/<sub>2</sub>" radius, with an arc length of 38". The laminate is color matched to the tabletop. The modesty panel mounts to the table using 14-gauge (.075" thick) formed steel brackets, secured to the underside of the table.

#### Perforated Steel Modesty Panel

Panels are constructed of 14-gauge (.075" thick) by 10" tall perforated steel with powder-coated paint matched to the leg color. On 48" wide rectangular tables, the modesty panel is 47<sup>3</sup>/<sub>4</sub>" wide. On 90° inside curve tables, the modesty panel has a 54" radius, with an arc length of 85", so it can follow the curve of the back edge of the table. On 90° outside curve tables, the modesty panel has a 27<sup>1</sup>/<sub>2</sub>" radius, with an arc length of 38". The modesty panel mounts to the table using 14-gauge (.075" thick) formed steel brackets, secured to the underside of the table.

Note: When specifying a perforated steel modesty panel on a table with chrome legs, the modesty panel will be flannel.

#### Polyester Felt Modesty Panel

Polyester felt modesty panels are constructed from a sound-absorbing, 100% polyester felt. The panels have a density of 0.5 lb/ft<sup>2</sup> and is sound absorbing tested to ASTM C423 with an NRC rating of .44 when using no air gap (A-Mount testing method) and an NRC rating of .81" with 2" air gap. The polyester felt is in accordance with ASTM-E84 and achieve a Class A Flame Spread. Standard sizes are 9<sup>1</sup>/<sub>4</sub>" high on 29" high tables, or 15" high on 36" and 42" high tables by 29", 35", 41", 47", 53", 59" and 65" wide.

#### Mounting Hooks

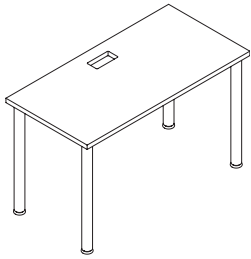
The mounting hooks are 18-gauge steel and attach underneath the tabletop using two steel screws. Panels 29", 35", 41" and 47" wide use two hooks per panel. Panels 53", 59" and 65" wide use three hooks per panel.



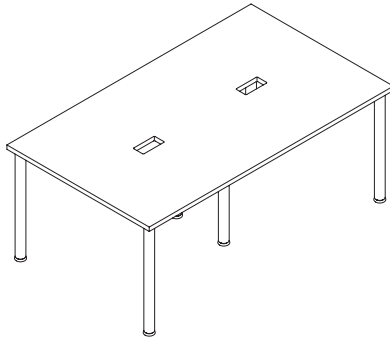
# STATEMENT OF LINE

## Pillar® Tables

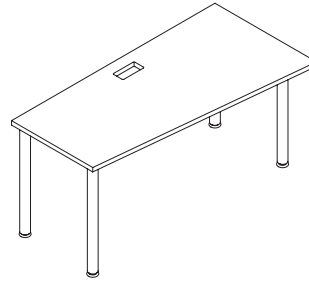
# CODE COMPLIANCE



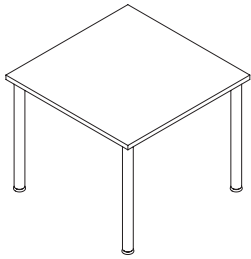
Rectangular Table  
PLRT



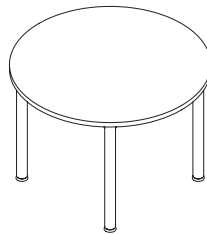
Large Rectangular Table  
PLLT



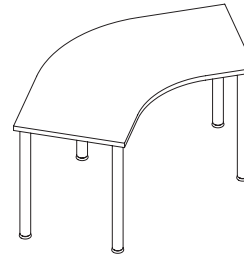
Reduction Table  
PLRN



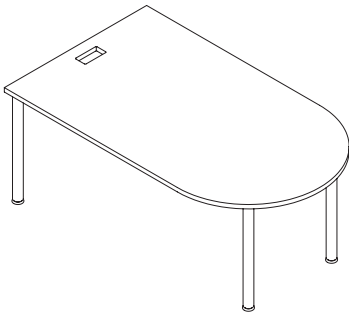
Square Table  
PLSR



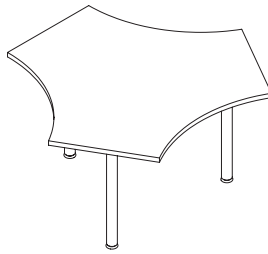
Round Table  
PLRD



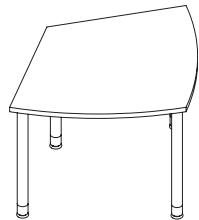
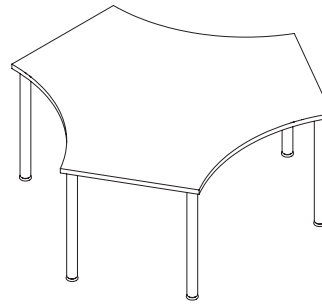
120° Table  
PL12



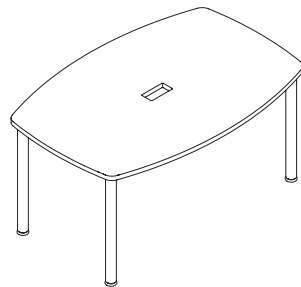
D-Shape Table  
PLDT



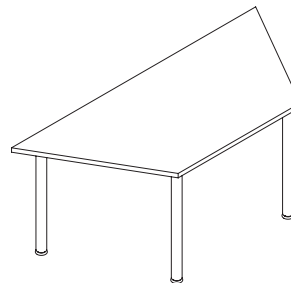
Sprocket Tables  
PLSP



Diamond Table  
PLDM



Boat Table  
PLBT



Trapezoid Table  
PLTR



# PRODUCT SPECIFICATIONS

## C-Table™

December 2020

### Tabletop

Tabletops are 18" diameter and consist of  $\frac{3}{4}$ " thick high-density 45 lb particleboard core with a .03" thick high-pressure laminate top and a .028" thick phenolic backer (bottom). The table edge is 2 mm polypropylene (73P) and is available in a variety of colors. See KI Color Addendum for laminate and edge finish options.

### Base Frame

The table base frame is constructed of welded steel. The spider plate is 14-gauge, base is  $\frac{3}{8}$ " thick and the vertical post is 1½" diameter by .083" thick wall. The base frame is finished in electrostatically applied hybrid powdercoating. The coating is then fused and cured in a baking oven to form a smooth, continuous finish that is chemical-resistant, hard, tough and mar-resistant. Powder-coated paint is available in all standard KI paint colors except for chrome. See KI Color Addendum for complete options.

### Glides

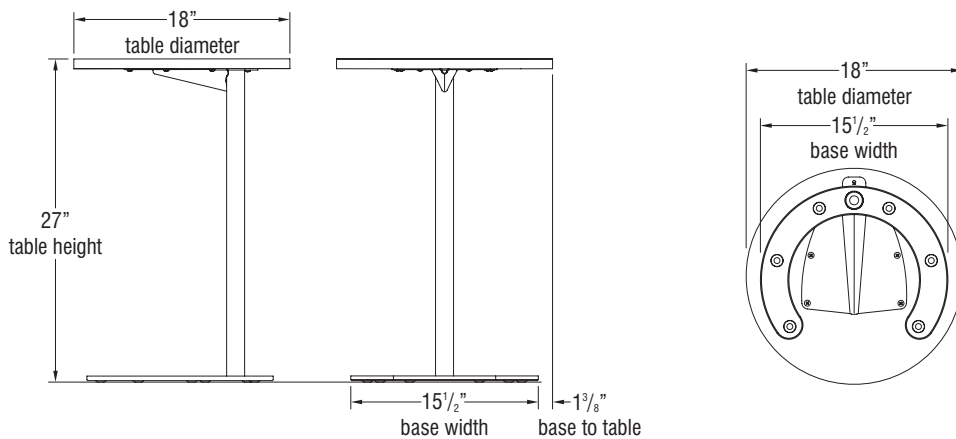
Six 1" diameter self-adhesive white polyurethane glides are recessed into machined pockets within the steel base.

### Table Assembly

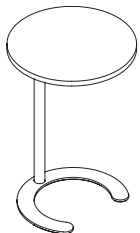
Tabletops are attached to the base frame using seven #12 x  $\frac{3}{4}$ " Phillips truss head screws. Tables are shipped completely assembled with a packaged weight of 23 lbs. Assembled tables without packaging weigh 17½" lbs.



## DIMENSIONS



## STATEMENT OF LINE



CTBL

1330 Bellevue Street • P.O. Box 8100 • Green Bay, WI 54308-8100 • 1-800-424-2432 • www.ki.com

© 2020 Krueger International, Inc. All Rights Reserved • Code KI-TS-000023R2/KI/PDF/1220



Furnishing Knowledge®